

ISX modular cabinets

General characteristics

ABB is updating its supply of cabinets for automation with the new series of AISI 304 stainless steel ISX modular cabinets, suitable for creating electrical enclosures for automation, command and control.

ISX modular cabinets also conform to IEC EN 62208 and IEC 61439-1-2. The ISX range passed cabinet vibrations tests according to IEC 60068-2-57 and seismic tests according to IEE Std 693. ISX modular cabinets have a degree of protection IP66 (IEC EN 60529) and NEMA 4X (UL standard). The degree of protection against external mechanical impacts is IK10 for the version with blind door and IK09 for the version with glass door (IEC 62262). The AISI 304 stainless steel allows the cabinets to be fitted both indoors and outdoors, by fixing them to the floor. Available with blind door or glass door, they have a structure with removable roof, complete with blind door and rear panel, fixed cable entry flanges, plinth H=100 mm made up of four angular parts and can be completed with plinth flanges and side panels. Available in two heights, H=1800 mm and H=2000 mm, with a

double doors version (only blind) with width W=1200 mm. For ISX modular cabinets the following are available: horizontal reinforcement sections for door, folding shelves for door, door anti-closure device, standard back plate and relative recessing/joining/reinforcement kits, oversized back plate and relative joining/reinforcement kits, tracks for plate lateral insertion, opposite mounting plate, partial back plate, crosspieces H=48/100 mm, crosspieces for base, transformer holder crosspieces, connector holder panel, vertical/horizontal partition panels, horizontal/vertical busbar segregations, DIN uprights, apparatus holder back plate, standard back plate for bench cabling, lifting eyebolts/brackets, lamps, voltage detector devices, position switch.

4



Алматы (7273)495-231
Ангарск (3955)60-70-56
Архангельск (8182)63-90-72
Астрахань (8512)99-46-04
Барнаул (3852)73-04-60
Белгород (4722)40-23-64
Благовещенск (4162)22-76-07
Брянск (4832)59-03-52
Владивосток (423)249-28-31
Владикавказ (8672)28-90-48
Владимир (4922)49-43-18
Волгоград (844)278-03-48
Вологда (8172)26-41-59
Воронеж (473)204-51-73
Екатеринбург (343)384-55-89

Иваново (4932)77-34-06
Ижевск (3412)26-03-58
Иркутск (395)279-98-46
Казань (843)206-01-48
Калининград (4012)72-03-81
Калуга (4842)92-23-67
Кемерово (3842)65-04-62
Киров (8332)68-02-04
Коломна (4966)23-41-49
Кострома (4942)77-07-48
Краснодар (861)203-40-90
Красноярск (391)204-63-61
Курск (4712)77-13-04
Курган (3522)50-90-47
Липецк (4742)52-20-81

Магнитогорск (3519)55-03-13
Москва (495)268-04-70
Мурманск (8152)59-64-93
Набережные Челны (8552)20-53-41
Нижний Новгород (831)429-08-12
Новокузнецк (3843)20-46-81
Ноябрьск (3496)41-32-12
Новосибирск (383)227-86-73
Омск (3812)21-46-40
Орел (4862)44-53-42
Оренбург (3532)37-68-04
Пенза (8412)22-31-16
Петрозаводск (8142)55-98-37
Пермь (342)205-81-47

Ростов-на-Дону (863)308-18-15
Рязань (4912)46-61-64
Самара (846)206-03-16
Санкт-Петербург (812)309-46-40
Саратов (845)249-38-78
Севастополь (8692)22-31-93
Саранск (8342)22-96-24
Симферополь (3652)67-13-56
Смоленск (4812)29-41-54
Сочи (862)225-72-31
Ставрополь (8652)20-65-13
Сургут (3462)77-98-35
Сыктывкар (8212)25-95-17
Тамбов (4752)50-40-97
Тверь (4822)63-31-35

Тольятти (8482)63-91-07
Томск (3822)98-41-53
Тула (4872)33-79-87
Тюмень (3452)66-21-18
Ульяновск (8422)24-23-59
Улан-Удэ (3012)59-97-51
Уфа (347)229-48-12
Хабаровск (4212)92-98-04
Челябинск (351)202-03-61
Череповец (8202)49-02-64
Чита (3022)38-34-83
Якутск (4112)23-90-97
Ярославль (4852)69-52-93

Россия +7(495)268-04-70

Казахстан +7(7172)727-132

Киргизия +996(312)96-26-47

<https://abbenclosures.nt-rt.ru/> || aua@nt-rt.ru

ISX modular enclosures allow the set-up of batteries of cabinets side by side for controlling complex industrial plants in environments requiring high standards of hygiene, for example the food, chemical and pharmaceutical sectors. They are suitable for installation on the floor with lateral and rear access, plus mounting plate position adjustment.


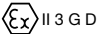


Structure
AISI 304 stainless steel modular structure with 3-way joint.



Plinths
plinths with removable flanges made of AISI 304 stainless steel, with a hole for fixing to the floor.

Technical characteristics

Conforms to	IEC EN 62208, IEC 61439-1-2
Degree of protection	IP66 (IEC EN 60529)* NEMA 4X (UL standard)*
Degree of mechanical protection	IK10 blind door IK09 glass door (IEC 62262)
Certifications	 
Type of material	AISI 304
Installation site	indoors/outdoors
Fixing method	floor/wall
Normal operating conditions	
- ambient temperature	from -25 to +55°C

* Under certification.

ISX modular cabinets

Selection of the structure

Rapid selection table



4

External overall dimensions			Cabinet with blind door			Pair of plinth flanges		Cable entry flanges		
H ⁽¹⁾ (mm)	W (mm)	D (mm)	Blind door	Double blind doors overlap closing	Glass door	Front / back	side	Sliding	Fixed	Built-up
1800	600	400	ES1864X		ES1864VX	ZN6000X	ZN4001X	EF6040X	EF6043X	EF6041X
	800		ES1884X		ES1884VX	ZN8000X	ZN4001X	EF8040X	EF8042X	EF8041X
	600	500	ES1865X		ES1865VX	ZN6000X	ZN5001X	EF6050X	EF6052X	EF6051X
	800		ES1885X		ES1885VX	ZN8000X	ZN5001X	EF8050X	EF8052X	EF8051X
	1000		ES1805X		ES1805VX	ZN1000X	ZN5000X	EF1053X	EF1052X	EF1051X
	1000	600	ES1806X		ES1806VX	ZN1000X	ZN6000X	EF1060X	EF1062X	EF1061X
	1200	500		ES1827BX		2xZN6000X	ZN5001X	2xEF6050X	2xEF6052X	2xEF6051X
	1200	600		ES1826BX		2xZN6000X	ZN6000X	2xEF6060X	2xEF6062X	2xEF6061X
2000	600	500	ES2065X		ES2065VX	ZN6000X	ZN5001X	EF6050X	EF6052X	EF6051X
	800		ES2085X		ES2085VX	ZN8000X	ZN5001X	EF8050X	EF8052X	EF8051X
	1000		ES2007X		ES2005VX	ZN1000X	ZN5001X	EF1053X	EF1052X	EF1051X
	600	600	ES2066X		ES2066VX	ZN6000X	ZN6000X	EF6060X	EF6062X	EF6061X
	800		ES2086X		ES2086VX	ZN8000X	ZN6000X	EF8060X	EF8062X	EF8061X
	1000		ES2006X		ES2006VX	ZN1000X	ZN6000X	EF1060X	EF1062X	EF1061X
	1200	500		ES2025BX		2xZN6000X	ZN5001X	2xEF6050X	2xEF6052X	2xEF5051X
	1200	600		ES2026BX		2xZN6000X	ZN6000X	2xEF6060X	2xEF6062X	2xEF6061X

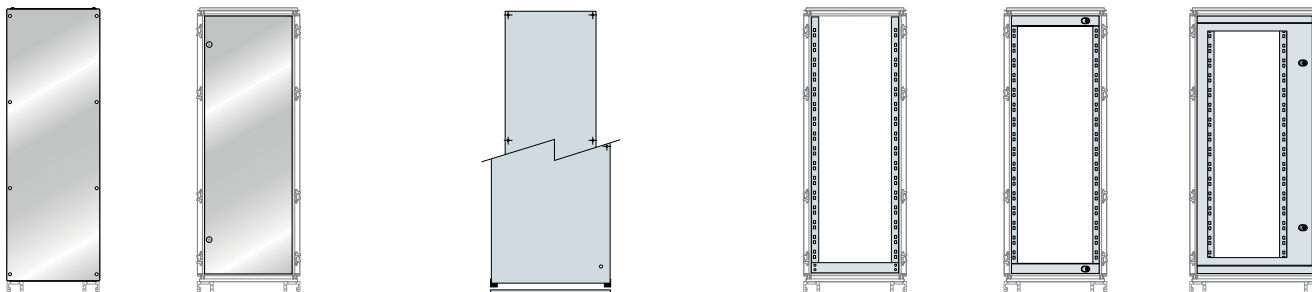
⁽¹⁾ The working height is always 100mm less than the external dimension of the enclosure. For the version with compartments the working height is 200mm less.

⁽²⁾ Crosshead screws for Phillips 3 insert.

⁽³⁾ Standard plates joining kit: EA1800 (H=1800mm); EA2000 (H=2000mm).

⁽⁴⁾ EA2113 oversized plates joining kit H=1800/2000mm.

Kit for placing structures side by side EV0002X/EV0003X/EV0006X.

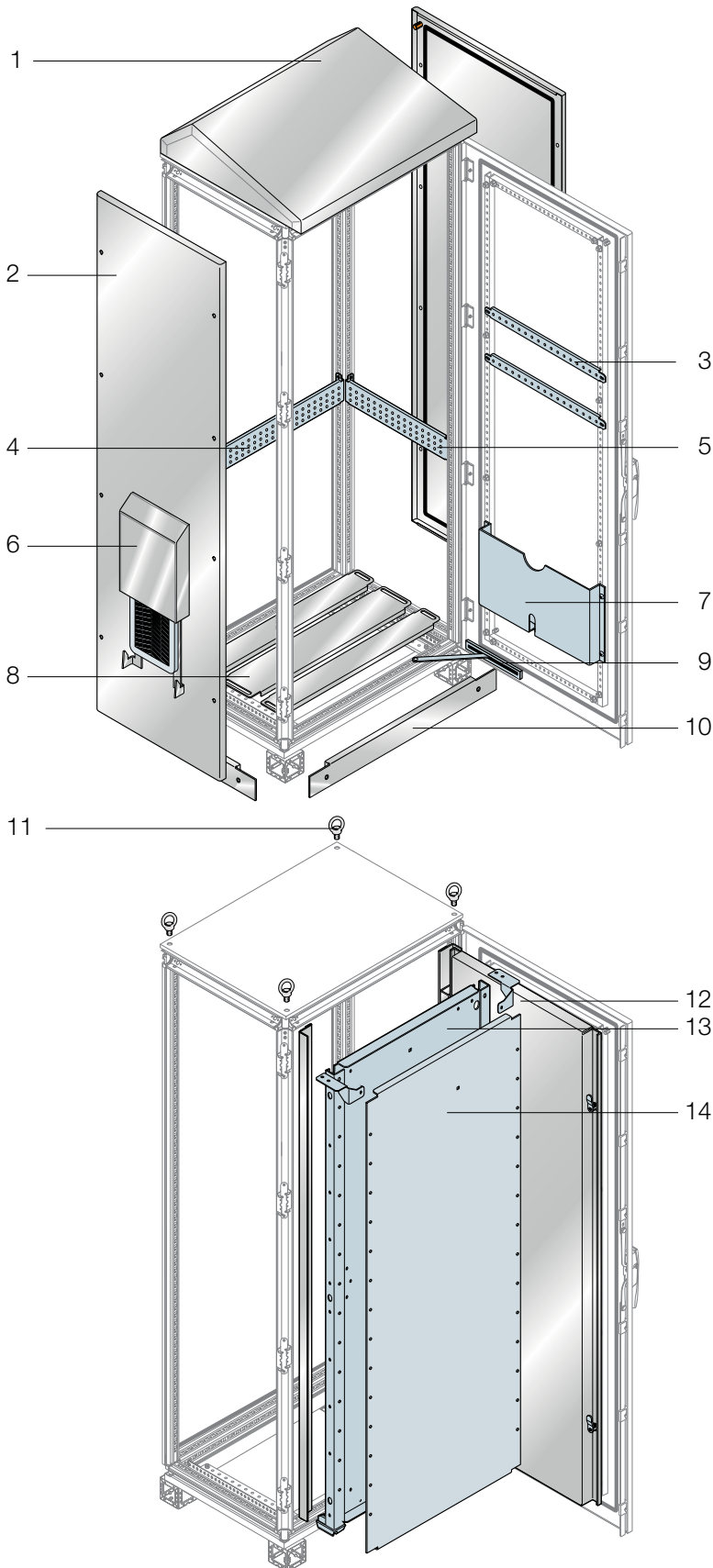


Side covers ⁽¹⁾	Inner door	Mounting plates		Rack frame		
		Standard ⁽²⁾	Oversize + tracks ⁽³⁾	Fixed Centred	Swing Centred W=600mm	Eccentric W=800mm
Pair of blind panels						
EL1840X	EE1860X	EA1860	EA1960	EG1800	EG1801K	
EL1840X	EE1880X	EA1880	EA1981	EG1880		EG1803K
EL1850X	EE1860X	EA1860	EA1960	EG1800	EG1801K	
EL1850X	EE1880X	EA1880	EA1981	EG1880		EG1803K
EL1850X	EE1810X	EA1810	EA1910			
EL1860X	EE1810X	EA1810	EA1910			
EL1850X		EA1812	EA1912			
EL1860X		EA1812	EA1912			
EL2050X	EE2060X	EA2060	EA2161	EG2000	EG2001K	
EL2050X	EE2080X	EA2080	EA2180	EG2080		EG2003K
EL2050X	EE2010X	EA2010	EA2110			
EL2060X	EE2060X	EA2060	EA2161	EG2000	EG2001K	
EL2060X	EE2080X	EA2080	EA2180	EG2080		EG2003K
EL2060X	EE2010X	EA2010	EA2110			
EL2050X		EA2013	EA2112			
EL2060X		EA2013	EA2112			

ISX modular cabinets

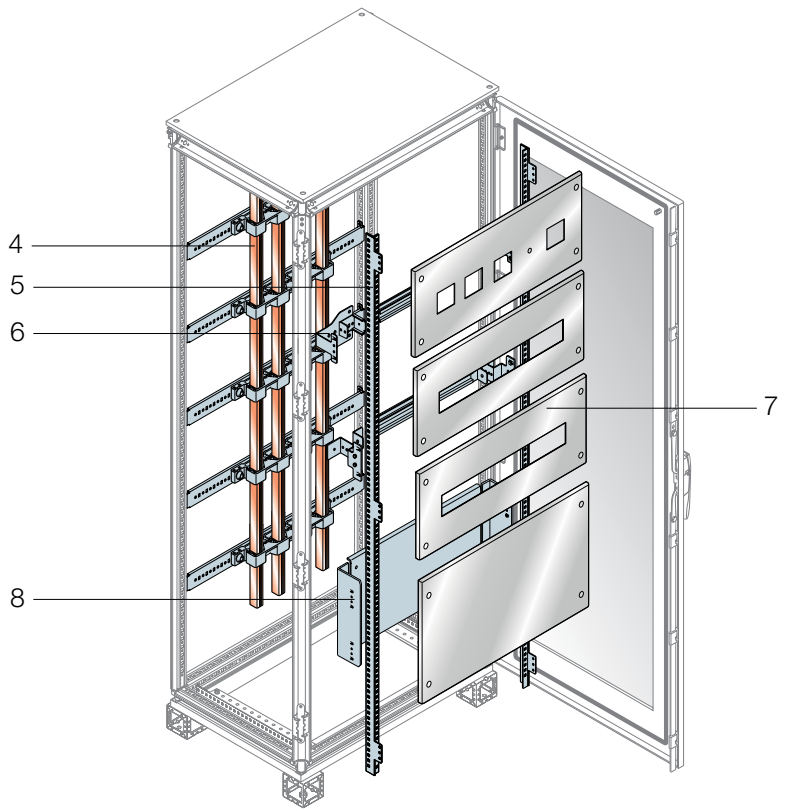
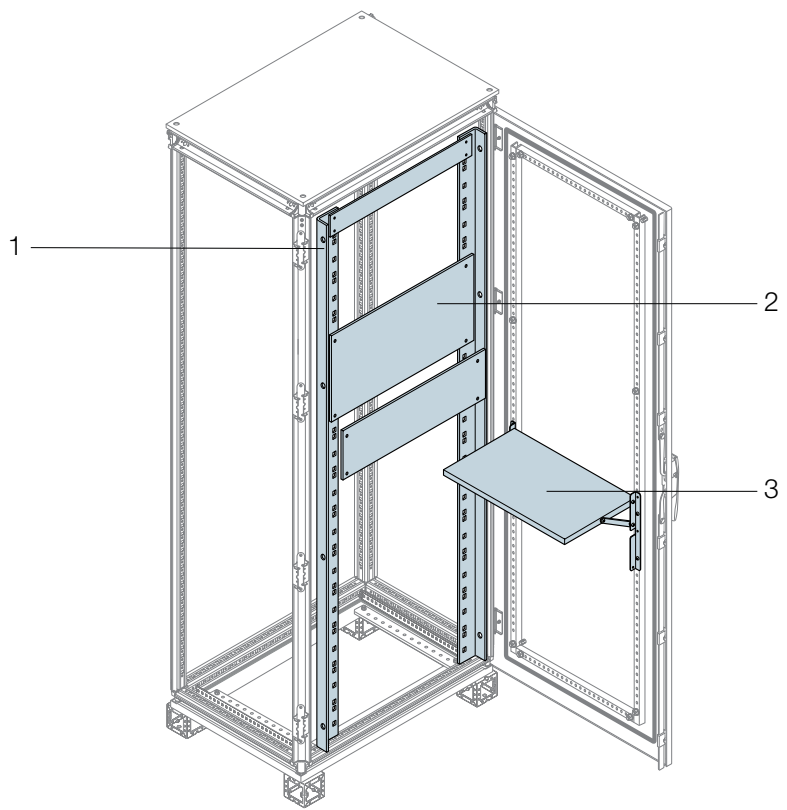
Ordering codes

4



1	Spray protection roof	
	Page.....	4/11
2	Side panels	
	Page.....	4/9
3	Door reinforcement profiles	
	Page.....	4/27
4	Crosspieces for back accessories	
	Page.....	4/19
5	Crosspieces for side accessories	
	Page.....	4/19
6	Ventilation kit	
	Page.....	5/10
7	Document pocket	
	Page.....	5/8
8	Cable entry flanges	
	Page.....	4/11
9	Door anti-closure device	
	Page.....	4/27
10	Plinth covering flanges	
	Page.....	4/9
11	Lifting eyebolts	
	Page.....	4/27
12	Inner door	
	Page.....	4/10
13	Mounting plate	
	Page.....	4/13
14	Opposite mounting plate	
	Page.....	4/15

> Rapid selection table page 4/4 > In-depth technical information page 6/1 > Overall dimensions page 7/1



1
19" rack frames
Page..... 4/24

2
Panels for 19" rack frames
Page..... 4/25

3
Folding shelf for door
Page..... 4/27

4
Distribution system
Page..... 4/28

5
Uprights for DIN rail
Page..... 4/20

6
DIN rail kit
Page..... 4/20

7
Panels for modular equipment
Page..... 4/21

8
Blind apparatus holder back plates
Page..... 4/22

ISX modular cabinets

Ordering codes



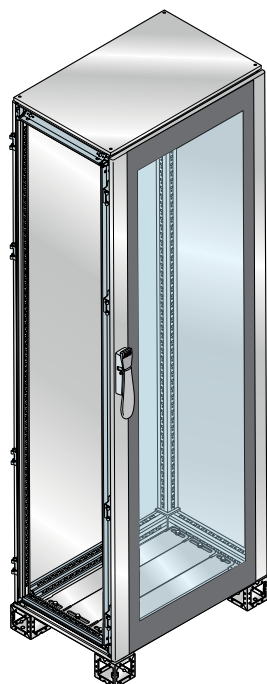
Cabinets with blind door

Structure with removable roof complete with blind door and rear panel⁽¹⁾, built-up cable entry flanges, plinth H=100mm consisting of four angular parts. To be completed with plinth flanges and side panels.

Cabinets with blind door							
Dimensions (mm)							
H	W	D	Code	Item	Price	Package/ No. of pieces	
1800	600	400	ES1864X			1/1	
	800		ES1884X			1/1	
	600	500	ES1865X			1/1	
	800		ES1885X			1/1	
	1000		ES1805X			1/1	
		1000	600	ES1806X			1/1
		1200 ⁽¹⁾	500	ES1827BX			1/1
	1200 ⁽¹⁾	600	ES1826BX			1/1	
2000	600	500	ES2065X			1/1	
	800		ES2085X			1/1	
	1000		ES2007X			1/1	
	600	600	ES2066X			1/1	
	800		ES2086X			1/1	
	1000		ES2006X			1/1	
	1200 ⁽¹⁾		500	ES2025BX			1/1
	1200 ⁽¹⁾	600	ES2026BX			1/1	

⁽¹⁾ Crosshead screws for Phillips 3 insert.

⁽¹⁾ Version with double doors.

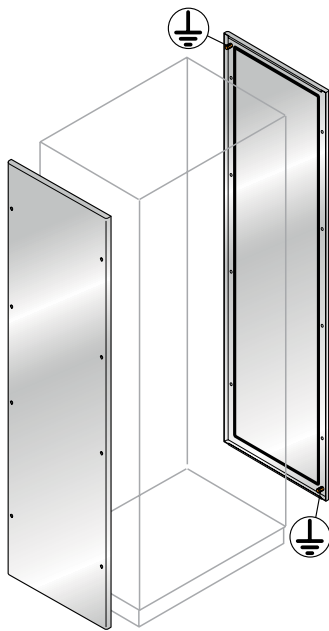


Cabinets with glass door

Structure with removable roof complete with glass door and rear panel⁽¹⁾, built-up cable entry flanges, plinth H=100mm consisting of four angular parts. To be completed with plinth flanges and side panels⁽¹⁾.

Cabinets with glass door						
Dimensions (mm)						
H	W	D	Code	Item	Price	Package/ No. of pieces
1800	600	400	ES1864VX			1/1
	800		ES1884VX			1/1
	600	500	ES1865VX			1/1
	800		ES1885VX			1/1
	1000		ES1805VX			1/1
		1000	600	ES1806VX		
2000	600	500	ES2065VX			1/1
	800		ES2085VX			1/1
	1000		ES2005VX			1/1
	600	600	ES2066VX			1/1
	800		ES2086VX			1/1
	1000		ES2006VX			1/1

⁽¹⁾ Crosshead screws for Phillips 3 insert.

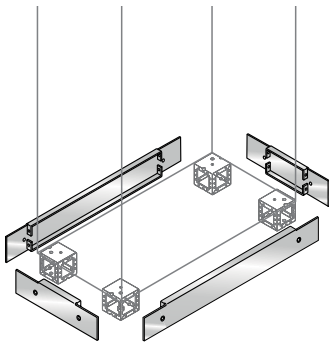


Blind side panels

15/10 thick stainless steel side panel⁽¹⁾, with polyurethane gasket, complete with earthing pins.

Description	Dimensions (mm)		Code	Item	Price	Package/ No. of pieces
	H	W				
Pair of blind panels	1800	400	EL1840X			1/2
Pair of blind panels		500	EL1850X			1/2
Pair of blind panels		600	EL1860X			1/2
Pair of blind panels	2000	500	EL2050X			1/2
Pair of blind panels		600	EL2060X			1/2

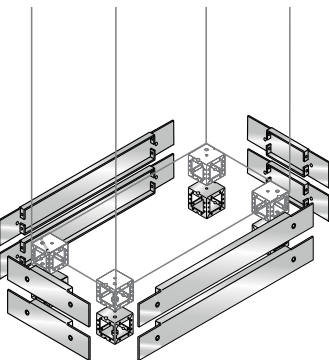
⁽¹⁾ Crosshead screws for Phillips 3 insert.



Plinth covering flanges

AISI 304 stainless steel removable flanges (not load-bearing).

Description	Dimensions (mm)		Code	Item	Price	Package/ No. of pieces
	H	W				
Pair of plinth flanges front/rear	100	600	ZN6000X			1/2
Pair of plinth flanges front/rear		800	ZN8000X			1/2
Pair of plinth flanges front/rear		1000	ZN1000X			1/2
Pair of plinth side flanges	100	400	ZN4001X			1/2
Pair of plinth side flanges		500	ZN5001X			1/2
Pair of plinth side flanges		600	ZN6000X			1/2



Additional plinth

To obtain a plinth 200mm high, order an angular parts kit H=100mm to be completed with 2 covering flanges (H=100mm) for each side of the structure.

Description	Dimensions (mm)		Code	Item	Price	Package/ No. of pieces
	H					
4 angular parts	100		ZN1010X			1/4

ISX modular cabinets

Ordering codes

4

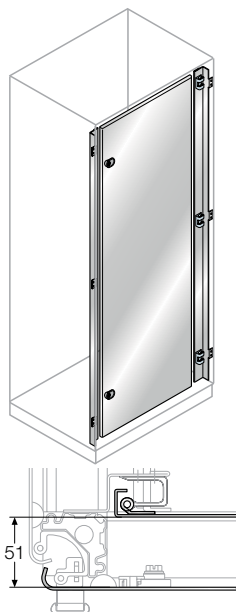
One-piece roof

AISI 304 stainless steel roof made in a single piece, completes the joining of enclosures positioned side by side.

Description	Code	Item	Price	Package/ No. of pieces
One-piece roof for side by side ISX	TU1000X			1/1

The front view drawing of the ISX battery has to be attached to the order, specifying the width, the depth and the sequence of the panel board.

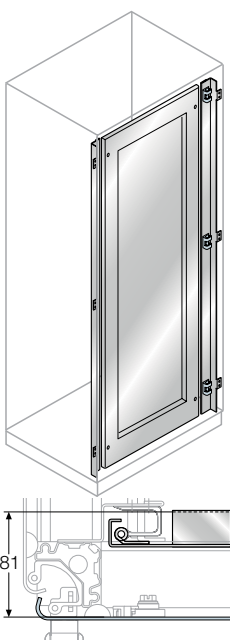
Measurement unit: metre.



Inner doors

15/10 thick AISI 304 stainless steel internal door, complete with reinforcement tube, frame, hinges and 2 boxes with double tongue key. Maximum opening 100°.

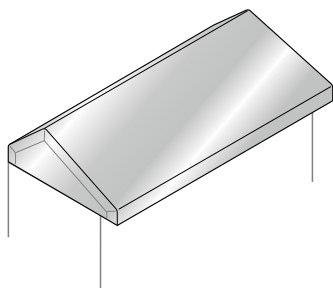
Internal doors					
Dimensions (mm)		Code	Item	Price	Package/ No. of pieces
H	W				
1800	600	EE1860X			1/1
	800	EE1880X			1/1
	1000	EE1810X			1/1
2000	600	EE2060X			1/1
	800	EE2080X			1/1
	1000	EE2010X			1/1



Recessed inner doors

15/10 thick stainless sheet steel internal door, complete with frame, hinges and 2 boxes. Maximum opening 100°.

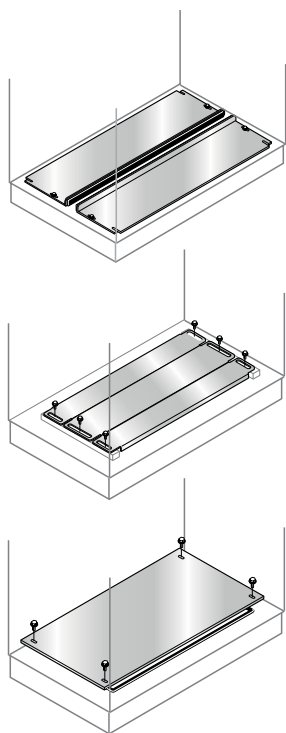
Internal doors					
Dimensions (mm)		Code	Item	Price	Package/ No. of pieces
H	W				
1800	600	EE1906X			1/1
	800	EE1908X			1/1
	1000	EE1910X			1/1
2000	600	EE2106X			1/1
	800	EE2108X			1/1
	1000	EE2110X			1/1



Spray protection roofs

Made of 15/10 stainless sheet steel.

Description	Dimensions (mm)		Code	Item	Price	Package/ No. of pieces
	W	D				
Spray protection roof	600	400	TP6040X			1/1
Spray protection roof	600	500	TP6050X			1/1
Spray protection roof	800	400	TP8040X			1/1
Spray protection roof	800	500	TP8050X			1/1
Spray protection roof	800	600	TP8060X			1/1
Spray protection roof	1000	500	TP1050X			1/1
Spray protection roof	1000	600	TP1060X			1/1
Spray protection roof	1200	500	TP1250X			1/1
Spray protection roof	1200	600	TP1260X			1/1



Cable entry flanges

20/10 stainless sheet steel flanges. Sliding, built-up and fixed type

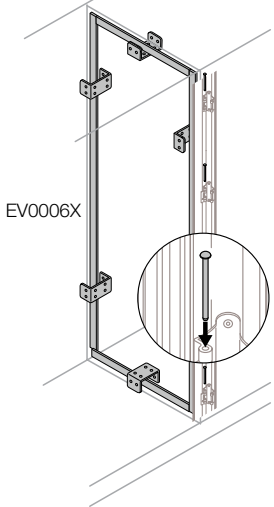
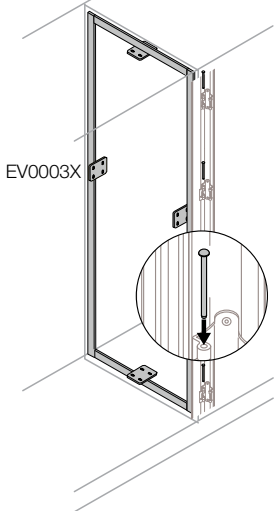
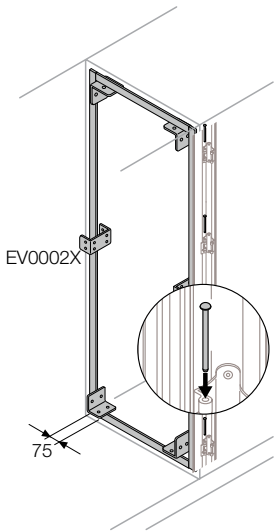
Description	Dimensions (mm)		Code	Item	Price	Package/ No. of pieces
	W	D				
Sliding cable entry flanges	600	400	EF6040X			1/1
Sliding cable entry flanges	800	400	EF8040X			1/1
Sliding cable entry flanges	600	500	EF6050X			1/1
Sliding cable entry flanges	800	500	EF8050X			1/1
Sliding cable entry flanges	1000	500	EF1053X			1/1
Sliding cable entry flanges	600	600	EF6060X			1/1
Sliding cable entry flanges	800	600	EF8060X			1/1
Sliding cable entry flanges	1000	600	EF1060X			1/1
Built-up cable entry flanges	600	400	EF6041X			1/1
Built-up cable entry flanges	800	400	EF8041X			1/1
Built-up cable entry flanges	600	500	EF6051X			1/1
Built-up cable entry flanges	800	500	EF8051X			1/1
Built-up cable entry flanges	1000	500	EF1051X			1/1
Built-up cable entry flanges	600	600	EF6061X			1/1
Built-up cable entry flanges	800	600	EF8061X			1/1
Built-up cable entry flanges	1000	600	EF1061X			1/1
Fixed cable entry flanges	600	400	EF6043X			1/1
Fixed cable entry flanges	800	400	EF8042X			1/1
Fixed cable entry flanges	600	500	EF6052X			1/1
Fixed cable entry flanges	800	500	EF8052X			1/1
Fixed cable entry flanges	1000	500	EF1052X			1/1
Fixed cable entry flanges	600	600	EF6062X			1/1
Fixed cable entry flanges	800	600	EF8062X			1/1
Fixed cable entry flanges	1000	600	EF1062X			1/1

Note: for structures with W=1200mm order 2 x parts with W=600mm.

ISX modular cabinets

Ordering codes

4



Kit for placing structures side by side

High density adhesive polyurethane gasket - guarantees the degree of protection on several columns positioned side by side. The kits come complete with 8 stainless steel AISI 304 pins.

Description	Code	Item	Price	Package/ No. of pieces
Kit for joining angular reinforcement part for lifting	EV0002X			1/1
Cabinet joining kit	EV0003X			1/1
Internal cabinet joining kit	EV0006X			1/1

EV0002X

This kit consists of 6 brackets (4 "L"-shaped and 2 "C"-shaped), an adhesive gasket and 8 small pins. Joining is from the inside using the 4 "L"-shaped brackets which can be fitted in the corners and the two 2 "C"-shaped brackets which can be mounted at any height on the enclosure. Does not allow maximum recessing of the standard and oversized back plate (75mm less).

EV0003X internal external enclosure joining kit

This kit consists of 4 brackets, an adhesive gasket and 8 small pins.

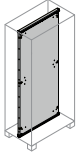
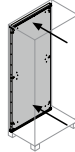
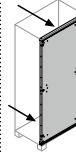
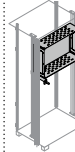
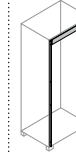
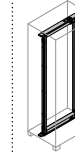
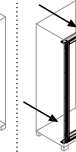
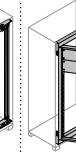
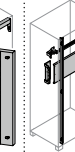
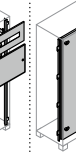









Joining is:

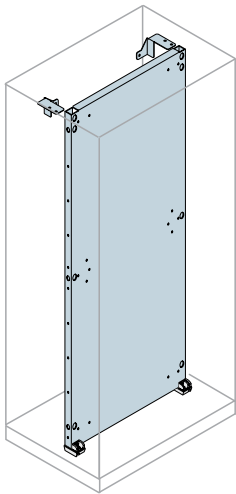
- from the inside using the 4 brackets which can be fitted anywhere along the height or depth of the enclosure
- from the outside using the 8 small pins inserted in the hinges (this requires removal of the rear panel).

EV0006X internal enclosure joining kit

This kit consists of 6 brackets, an adhesive gasket and 8 small pins.

Joining is from the inside using the 6 brackets which can be fitted anywhere along the height or depth of the enclosure.

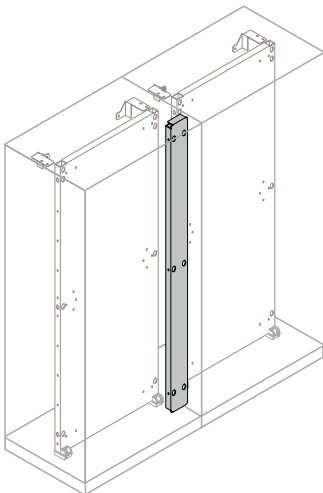
										
EV0002X	OK			OK	OK	OK		OK	OK	OK
EV0003X	OK	OK	OK	OK	OK	OK	OK	OK	OK	OK
EV0006X	OK	OK	OK			OK				



Standard mounting plate

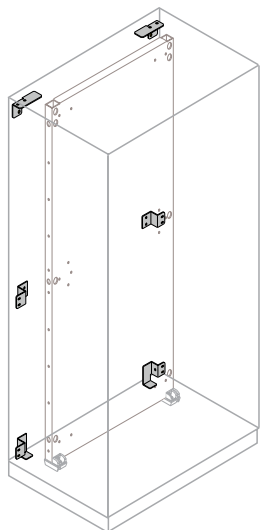
25/10 galvanised steel plate which can be inserted from the front (standard) or the side with tracks (to be ordered separately). Complete with supports for sliding and fixing. Possibility of placing side by side or recessing using the special kits.

Description	Dimensions (mm)		Code	Item	Price	Package/ No. of pieces
	H	W				
Mounting plate	1800	600	EA1860			1/1
Mounting plate		800	EA1880			1/1
Mounting plate		1000	EA1810			1/1
Mounting plate		1200	EA1812			1/1
Mounting plate	2000	600	EA2060			1/1
Mounting plate		800	EA2080			1/1
Mounting plate		1000	EA2010			1/1
Mounting plate		1200	EA2013			1/1



Standard mounting plate joining kit

Description	H (mm)	Code	Item	Price	Package/ No. of pieces
Plate joining kit	1800	EA1800			1/1
Plate joining kit	2000	EA2000			1/1



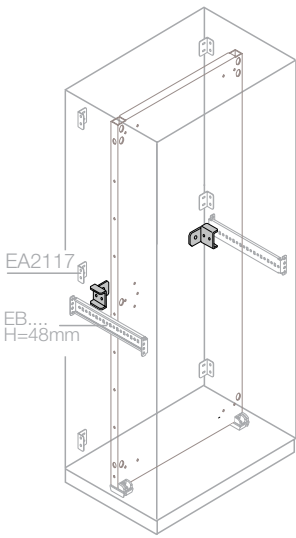
Kit for recessing standard mounting plates

Description	Code	Item	Price	Package/ No. of pieces
Kit for recessing plate	EA2100			1/1

ISX modular cabinets

Ordering codes

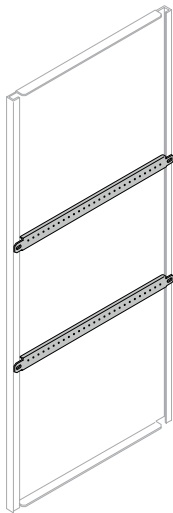
4



Kit for fixing standard mounting plate in the middle

Allows further fixing of the mounting plate even in the middle, in addition to the side crosspieces H=48mm (see page 4/19).

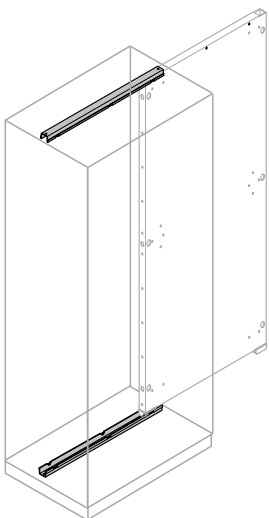
Description	Code	Item	Price	Package/ No. of pieces
Mounting plate fixing kit	EA2115			1/2



Reinforcement profiles for mounting plate

20/10 thick galvanised sections, for reinforcing standard back plates. Recommended for particularly heavy components fixed on the mounting plate.

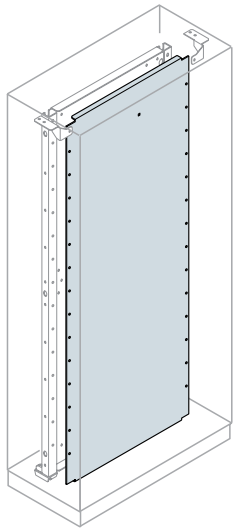
Description	W (mm)	Code	Item	Price	Package/ No. of pieces
2 plate horizontal reinforcement sections	600	EA6003			1/2
2 plate horizontal reinforcement sections	800	EA8003			1/2
2 plate horizontal reinforcement sections	1000	EA1003			1/2
2 plate horizontal reinforcement sections	1200	EA1203			1/2
6 plate fixing intermediate reinforcements		EA2117			1/6



Tracks for plate lateral insertion

Allow standard and oversized mounting plates to be inserted from the side. Made up of two sections (one upper and one lower).

Description	W (mm)	Code	Item	Price	Package/ No. of pieces
Tracks for plate lateral insertion	600	EA0600			1/2
Tracks for plate lateral insertion	800	EA0802			1/2
Tracks for plate lateral insertion	1000	EA1000			1/2
Tracks for plate lateral insertion	1200	EA1200			1/2

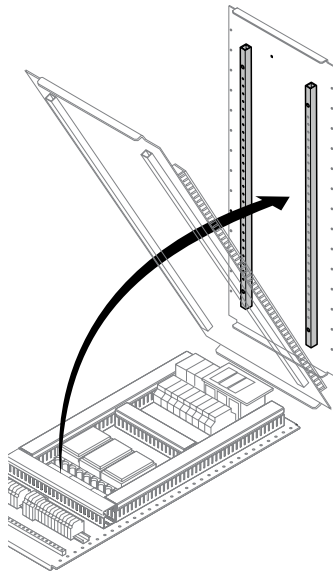


Opposite mounting plate

Mounting plate with extremely small depth dimension, so that components can be mounted on both sides (front and rear). Made of 25/10 galvanised steel. Can be inserted from the front and/or rear. Complete with supports for sliding and fixing.

Description	Dimensions (mm)		Code	Item	Price	Package/ No. of pieces
	H	W				
Opposite mounting plate	1800	600	EA5861			1/1
Opposite mounting plate		800	EA5883			1/1
Opposite mounting plate		1000	EA5811			1/1
Opposite mounting plate		1200	EA5822			1/1
Opposite mounting plate	2000	600	EA5063			1/1
Opposite mounting plate		800	EA5083			1/1
Opposite mounting plate		1000	EA5011			1/1
Opposite mounting plate		1200	EA5022			1/1

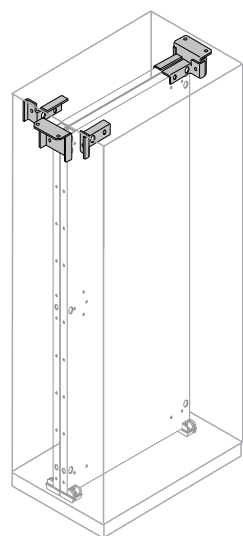
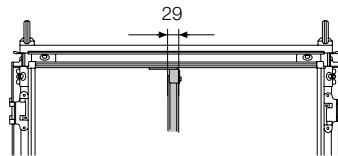
For the mounting of the opposite mounting plate it is necessary to order also the standard mounting plate.



Opposite mounting plate reinforcement sections

The reinforcement sections allow both vertical and horizontal opposite mounting plate cabling. The sections are fixed to the plate using special pressure pins, without drilling the plate.

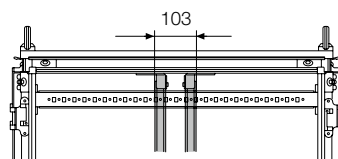
Description	H (mm)	Code	Item	Price	Package/ No. of pieces
2 reinforcements for opposite plate	1800	EA0018			1/2
2 reinforcements for opposite plate	2000	EA0020			1/2



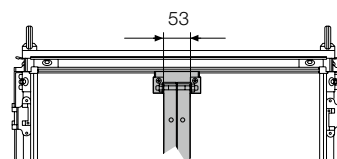
Back to back kit

For coupling 2 standard mounting plates to produce the minimum footprint.

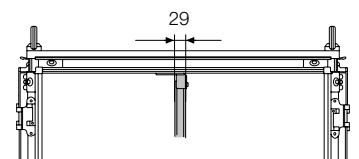
Description	Code	Item	Price	Package/ No. of pieces
Back to back standard plates kit	EA2118			1/1



Traditional side by side: standard plate + standard plate



Side by side with EA2118: standard mounting plate + standard mounting plate + kit EA2118.

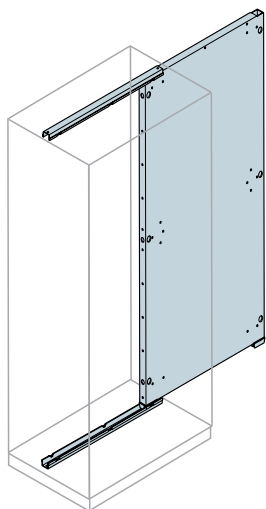


Standard mounting plate + opposite mounting plate.

ISX modular cabinets

Ordering codes

4

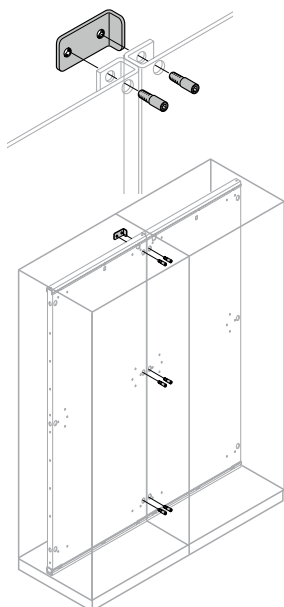


Oversized mounting plates

25/10 galvanised steel plate, can only be inserted by sliding from the side, using balls with tracks included in the kit. Possibility of placing side by side using the special kit.

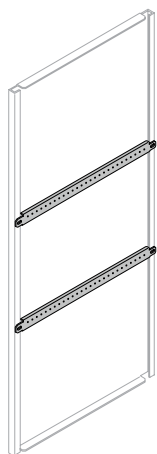
Including tracks for lateral insertion

Description	Dimensions (mm)		Code	Item	Price	Package/ No. of pieces
	H	W				
Oversized back plate+tracks	1800	600	EA1960			1/1
Oversized back plate+tracks		800	EA1981			1/1
Oversized back plate+tracks		1000	EA1910			1/1
Oversized back plate+tracks		1200	EA1912			1/1
Oversized back plate+tracks	2000	600	EA2161			1/1
Oversized back plate+tracks		800	EA2180			1/1
Oversized back plate+tracks		1000	EA2110			1/1
Oversized back plate+tracks		1200	EA2112			1/1



Oversized mounting plates joining kit

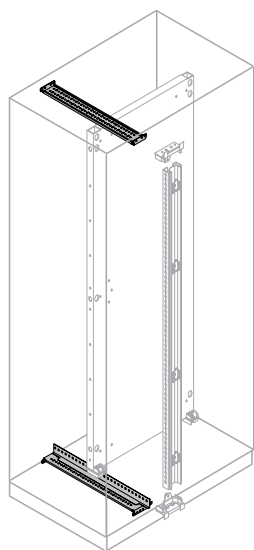
Description	Code	Item	Price	Package/ No. of pieces
Oversized plates joining kit	EA2113			1/1



Oversized mounting plates reinforcement sections

20/10 thick galvanised sections, for reinforcing standard back plates. Recommended for particularly heavy components fixed on the mounting plate.

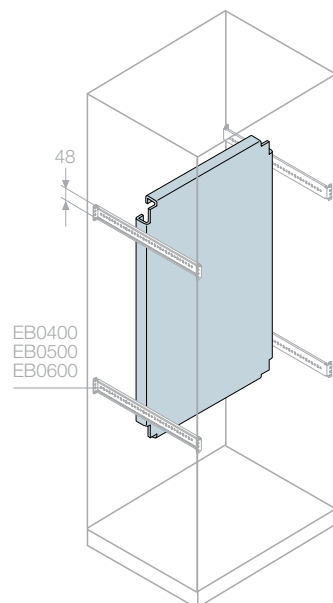
Description	W (mm)	Code	Item	Price	Package/ No. of pieces
2 plate horizontal reinforcement sections	600	EA6002			1/2
2 plate horizontal reinforcement sections	800	EA8002			1/2
2 plate horizontal reinforcement sections	1000	EA1002			1/2
2 plate horizontal reinforcement sections	1200	EA1202			1/2



Sliding rails for insertion of mounting plate with partial width

These allow insertion of the standard mounting plate from the front in structures with a cable container or if the double door structure is partly used. A special sliding track is inserted in the lower crosspiece.

Description	D (mm)	Code	Item	Price	Package/ No. of pieces
1 sliding rail and 1 crosspiece for back plate	400	EB4101			1/2
1 sliding rail and 1 crosspiece for back plate	500	EB5101			1/2
1 sliding rail and 1 crosspiece for back plate	600	EB6101			1/2



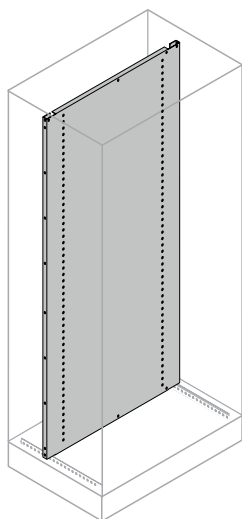
Partial mounting plates

25/10 thick galvanised back plates. Fixed on the crosspieces H=48mm.

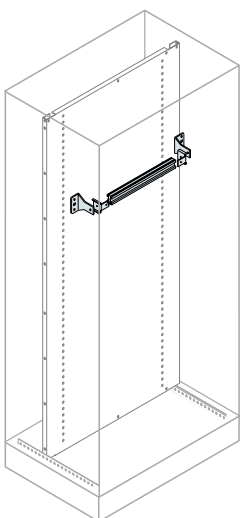
Description	Dimensions (mm)		Code	Item	Price	Package/ No. of pieces
	H	W				
Partial height mounting plate	200	600	EA2062			1/1
Partial height mounting plate	300		EA3061			1/1
Partial height mounting plate	400		EA4061			1/1
Partial height mounting plate	500	800	EA5061			1/1
Partial height mounting plate	600		EA6061			1/1
Partial height mounting plate	800		EA8061			1/1
Partial height mounting plate	1000		EA1061			1/1
Partial height mounting plate	200	800	EA2081			1/1
Partial height mounting plate	300		EA3081			1/1
Partial height mounting plate	400		EA4081			1/1
Partial height mounting plate	500	800	EA5081			1/1
Partial height mounting plate	600		EA6081			1/1
Partial height mounting plate	800		EA8081			1/1
Partial height mounting plate	1000		EA1081			1/1
Partial back plate recessing kit			EA2101			1/1

ISX modular cabinets

Ordering codes



4



Standard back plate for bench cabling

Back plate drilled with 25mm pitch for directly fixing DIN rails GD1520, GD1530. Insertion is from the front of the enclosure and the depth is adjustable in 25mm steps. The centre-to-centre distanced between the DIN rails may be 150 or 200mm. This solution comes complete with front panels for 24 and 36 modules respectively for W=600mm and 800mm.

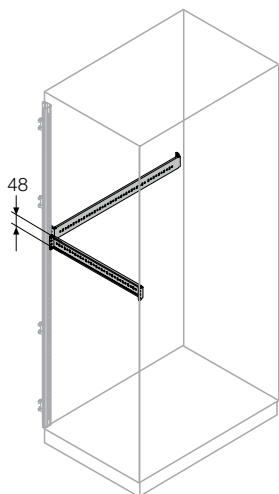
Description	Dimensions (mm)		Code	Item	Price	Package/ No. of pieces
	H	W				
Back plate for bench cabling	1800	600	EX1860			1/1
Back plate for bench cabling		800	EX1880			1/1
Back plate for bench cabling	2000	600	EX2060			1/1
Back plate for bench cabling		800	EX2080			1/1

DIN rail kit on mounting plate (bench cabling)

Kit consisting of double aluminium section (DIN 35), complete with brackets. Fixed directly on the mounting plate. The working dimension is always 100mm less than the total height of the enclosure.

Description	W (mm)	Code	Item	Price	Package/ No. of pieces
DIN rail and fixing supports (24 DIN mod.)	600	GD1520			1/2
DIN rail and fixing supports (36 DIN mod.)	800	GD1530			1/2

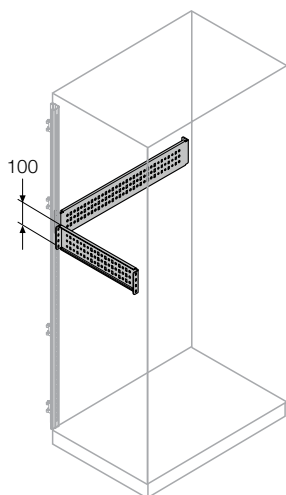
For all components which cannot be mounted on DIN rails, e.g.: T3, T4, OT, OETL, mounting is directly on the plate.



Crosspieces H=48mm for fixing accessories

20/10 thick galvanised sheet metal multi-purpose crosspieces. These are fixed between the uprights and allow various accessories to be fitted as well as partial back plates and busbar holders for flat and shaped section busbars (to be drilled).

Description	L/D (mm)	Code	Item	Price	Package/ No. of pieces
2 crosspieces for fixing front/side accessories and partial back plates	400	EB0400			1/2
2 crosspieces for fixing front/side accessories and partial back plates	500	EB0500			1/2
2 crosspieces for fixing front/side accessories and partial back plates	600	EB0600			1/2
2 crosspieces for fixing front/side accessories and partial back plates	800	EB0800			1/2
2 crosspieces for fixing front/side accessories and partial back plates	1000	EB1000			1/2
2 crosspieces for fixing front/side accessories and partial back plates	1200	EB1200			1/2

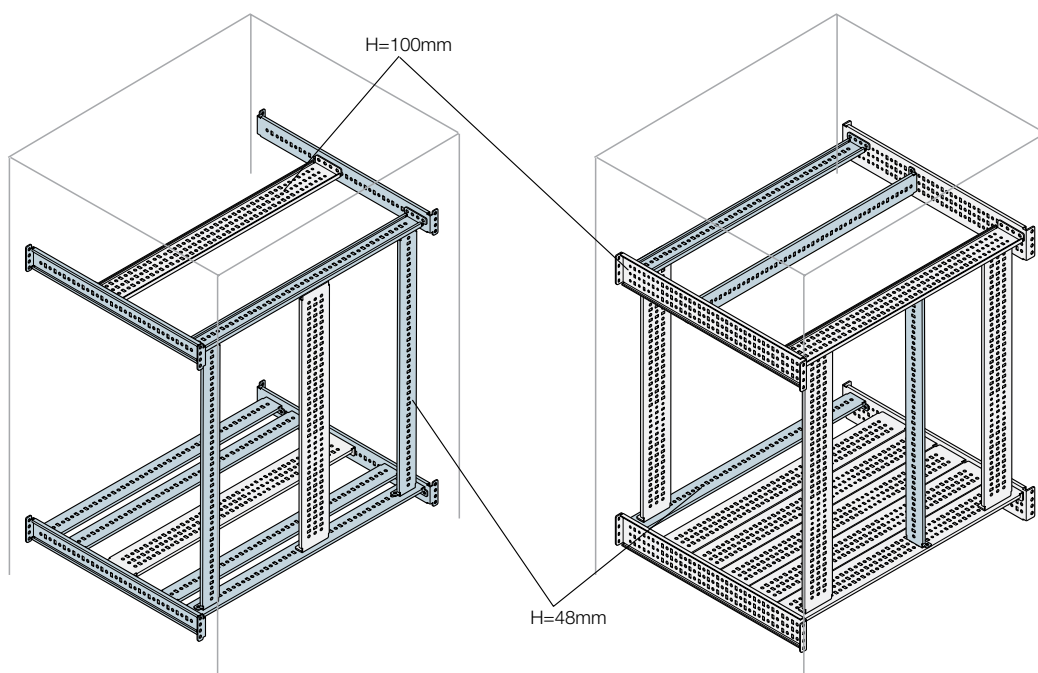


Crosspieces H=100mm for fixing accessories

Multi-purpose crosspieces made of 20/10 thick galvanised sheet metal.

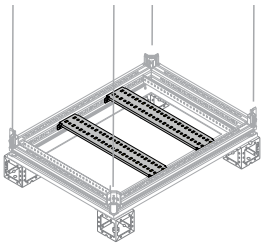
Description	L/D (mm)	Code	Item	Price	Package/ No. of pieces
2 crosspieces for fixing front/side accessories	400	EB0440			1/2
2 crosspieces for fixing front/side accessories	500	EB0550			1/2
2 crosspieces for fixing front/side accessories	600	EB0660			1/2
2 crosspieces for fixing front/side accessories	800	EB0880			1/2
2 crosspieces for fixing front/side accessories	1000	EB1010			1/2
2 crosspieces for fixing front/side accessories	1200	EB1020			1/2

Example of use of crosspieces H=48/100mm



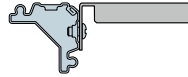
ISX modular cabinets

Ordering codes



Intermediate crosspieces for fixing heavy accessories (fitted deep)

Description	D (mm)	Code	Item	Price	Package/ No. of pieces
2 crosspieces for base	400	EB4100			1/2
2 crosspieces for base	500	EB5100			1/2
2 crosspieces for base	600	EB6100			1/2



Transformer holder crosspieces

Transformer holder crosspieces made of white galvanised 35/10 thick steel sections, complete with 4 x M12 stud bolts, W=50mm.

Description	D/W (mm)	Code	Item	Price	Package/ No. of pieces
2 transformer holder crosspieces	600	EB6102			1/2
2 transformer holder crosspieces	800	EB8102			1/2
2 transformer holder crosspieces	1000	EB1102			1/2

DIN rail uprights

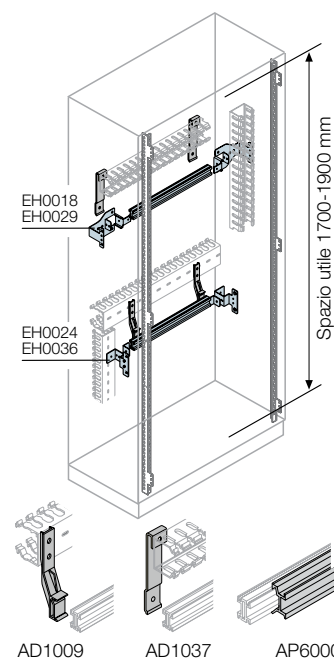
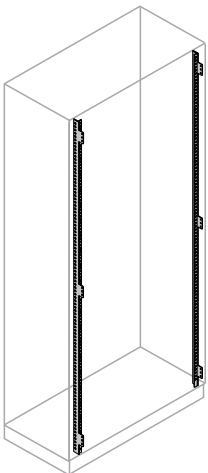
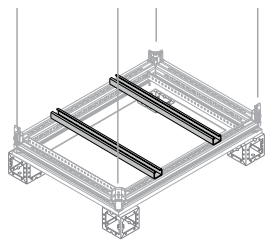
Galvanised steel uprights drilled with a 50mm pitch. For mounting blind apparatus holder plates, DIN rails and front panels. These must be fixed on the structure's front uprights. The working dimension is always 100mm less than the total height of the enclosure.

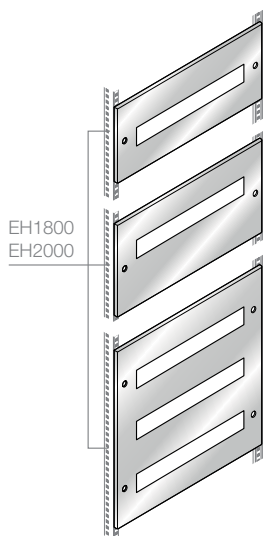
Description	Dimensions (mm) H	Code	Item	Price	Package/ No. of pieces
No.2 upright for DIN rail	1800	EH1800			1/2
No.2 upright for DIN rail	2000	EH2000			1/2

DIN rail kit

Kit consisting of a double aluminium section (DIN 35), complete with shaped brackets for fixing wiring ducts. Fixed directly on the uprights EH1800 or EH2000. The working dimension is always 100mm less than the total height of the enclosure.

Description	Dimensions (mm)		Code	Item	Price	Package/ No. of pieces
	W	H				
DIN rail kit complete with supports for fixing front duct (maximum 60x80mm)						
DIN rail and fixing supports (18 DIN modules)	600		EH0018			1/1
DIN rail and fixing supports (29 DIN modules)	800		EH0029			1/1
DIN rail kit complete with supports for fixing rear duct (side ≥40mm)						
DIN rail and fixing supports (24 DIN modules)	600		EH0024			1/1
DIN rail and fixing supports (36 DIN modules)	800		EH0036			1/1
Supports for horizontal duct						
4 plastic supports for horizontal duct			AD1009			1/4
4 metal supports for horizontal duct			AD1037			1/4
Depth adapter						
Depth adapter for Tmax T1-T2-T3-XT1-XT3 W=600mm			AP6000			1/4

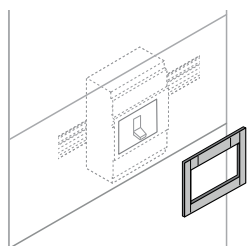




Panels for modular apparatuses

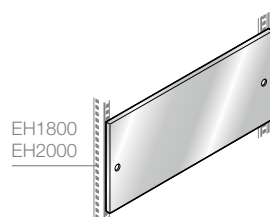
12/10 stainless steel panel with modular cut-out. The working dimension of the enclosure is always 100mm less than the total height of the enclosure.

Description	Dimensions (mm)		Code	Item	Price	Package/ No. of pieces
	H	W				
Panel, 18 DIN mod.	150	600	EH1518X			1/1
	200	600	EH2018X			1/1
Panel, 18 DIN mod. eccentric	300	600	EH3018X			1/1
Panel, 54 DIN mod. (3 rows x 18 mod.)	600	600	EH6018X			1/1
Panel, 29 DIN mod.	150	800	EH1529X			1/1
	200	800	EH2029X			1/1
Panel, 29 DIN mod. eccentric	300	800	EH3029X			1/1
Panel, 87 DIN mod. (3 rows x 29 mod.)	600	800	EH6029X			1/1
Panel, 24 DIN mod.	150	600	EH1524X			1/1
	200	600	EH2024X			1/1
Panel, 72 DIN mod. (3 rows x 24 mod.)	600	600	EH6025X			1/1
Panel, 36 DIN mod.	150	800	EH1536X			1/1
	200	800	EH2036X			1/1
Panel, 108 DIN mod. (3 rows x 36 mod.)	600	800	EH6036X			1/1



Tmax XT cover plate for DIN rail

Description	Code	Item	Price	Package/ No. of pieces
Cover plate for Tmax XT1 3P mounted on DIN rail	AD3301			1/1
Cover plate for Tmax XT1 4P mounted on DIN rail	AD3302			1/1
Cover plate for Tmax XT3 3P mounted on DIN rail	AD3303			1/1
Cover plate for Tmax XT3 4P mounted on DIN rail	AD3304			1/1



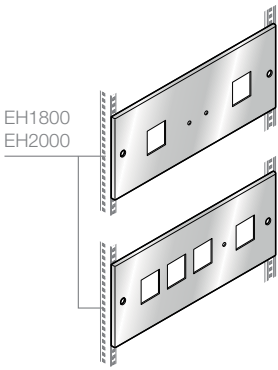
Blind panels for apparatuses

12/10 stainless steel blind panel. The working dimension of the enclosure is always 100mm less than the total height of the enclosure.

Description	Dimensions (mm)		Code	Item	Price	Package/ No. of pieces
	H	W				
Blind panel	50	600	EH0562X			1/1
Blind panel	100		EH1062X			1/1
Blind panel	150		EH1562X			1/1
Blind panel	200		EH2062X			1/1
Blind panel	300		EH3063X			1/1
Blind panel	400		EH4062X			1/1
Blind panel	500		EH5062X			1/1
Blind panel	600		EH6062X			1/1
Blind panel	50	800	EH0582X			1/1
Blind panel	100		EH1082X			1/1
Blind panel	150		EH1582X			1/1
Blind panel	200		EH2082X			1/1
Blind panel	300		EH3082X			1/1
Blind panel	400		EH4082X			1/1
Blind panel	500		EH5082X			1/1
Blind panel	600		EH6082X			1/1

ISX modular cabinets

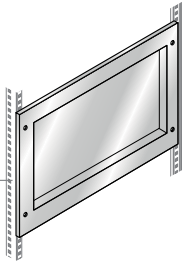
Ordering codes



Panels for square measuring instruments

12/10 stainless steel panel with cut-outs for measuring instruments. The working dimension of the enclosure is always 100mm less than the total height of the enclosure.

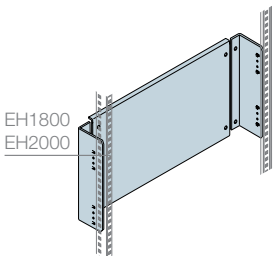
Description	Dimensions (mm)		Code	Item	Price	Package/ No. of pieces
	H	W				
Panel for 2 instruments 72x72mm	200	600	EH2272X			1/1
Panel for 4 instruments 72x72mm			EH2472X			1/1
Panel for 2 instruments 96x96mm			EH2297X			1/1
Panel for 2 instruments 72x72mm	200	800	EH3272X			1/1
Panel for 2 instruments 96x96mm			EH3296X			1/1
Panel for 4 instruments 72x72mm			EH3472X			1/1
Panel for 4 instruments 96x96mm			EH3496X			1/1



Recessed opaque panels

15/10 stainless steel opaque panel. The working dimension of the enclosure is always 100mm less than the total height of the enclosure.

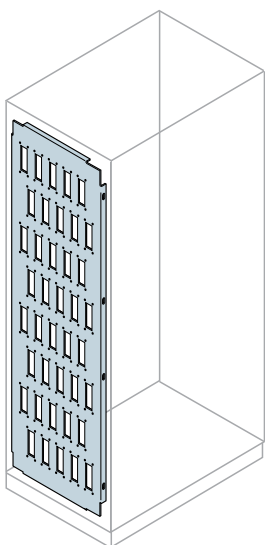
Description	Dimensions (mm)		Code	Item	Price	Package/ No. of pieces
	H	W				
Recessed opaque panel	200	600	EH2063X			1/1
Recessed opaque panel		800	EH2083X			1/1
Recessed opaque panel	300	600	EH3064X			1/1
Recessed opaque panel		800	EH3083X			1/1
Recessed opaque panel	400	600	EH4064X			1/1
Recessed opaque panel		800	EH4083X			1/1
Recessed opaque panel	500	600	EH5063X			1/1
Recessed opaque panel		800	EH5084X			1/1
Recessed opaque panel	600	600	EH6063X			1/1
Recessed opaque panel		800	EH6084X			1/1



Blind apparatus holder back plates

15/10 thick blind apparatus holder back plate. Fixed directly on uprights EH1800 or EH2000. The working dimension is always 100mm less than the total height of the enclosure.

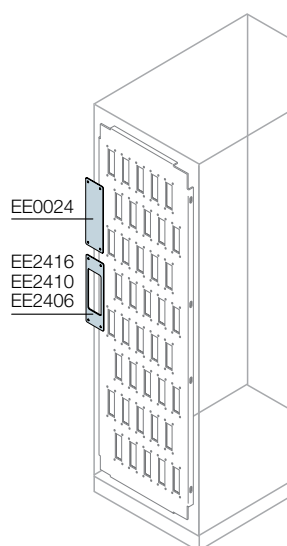
Description	Dimensions (mm)		Code	Item	Price	Package/ No. of pieces
	H	W				
Blind apparatus holder back plate	200	600	EH2065			1/1
Blind apparatus holder back plate	300		EH3065			1/1
Blind apparatus holder back plate	400		EH4065			1/1
Blind apparatus holder back plate	200	800	EH2085			1/1
Blind apparatus holder back plate	300		EH3085			1/1
Blind apparatus holder back plate	400		EH4085			1/1



Connector holder panel

20/10 thick galvanised sheet steel panel prepared with drilled holes for 24-pole connectors.

Description	Total No. of holes	No. of rows/holes	Dimensions (mm)		Code	Item	Price	Package/No. of pieces
			H	W				
Connector holder panel	36	9/4	1800	500	EE1852			1/1
Connector holder panel	45	9/5		600	EE1862			1/1
Connector holder panel	40	10/4	2000	500	EE2052			1/1
Connector holder panel	50	10/5		600	EE2062			1/1



Connector plate

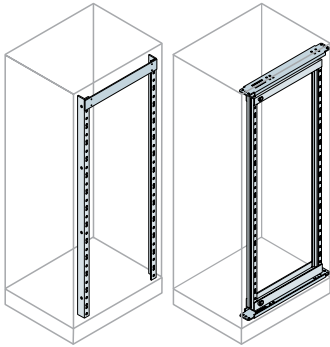
These allow unused holes on connector holder plates to be closed.

Description	Code	Item	Price	Package/No. of pieces
10 x 24 pole connector closing plates	EE0024			1/1
5 plates for reducing connectors from 24 to 16 poles	EE2416			1/1
5 plates for reducing connectors from 24 to 10 poles	EE2410			1/1
5 plates for reducing connectors from 24 to 6 poles	EE2406			1/1

ISX modular cabinets

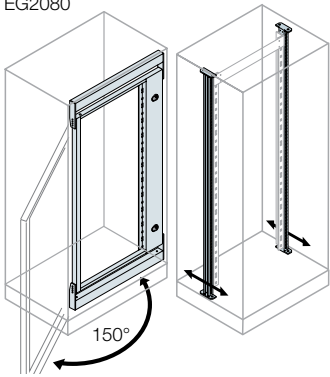
Ordering codes

4



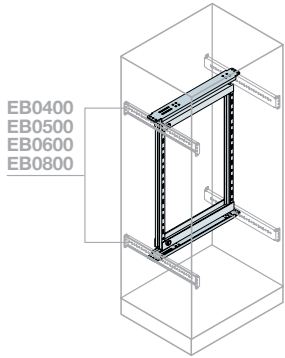
EG1800
EG2000
EG1880
EG2080

EG1801K
EG2001K

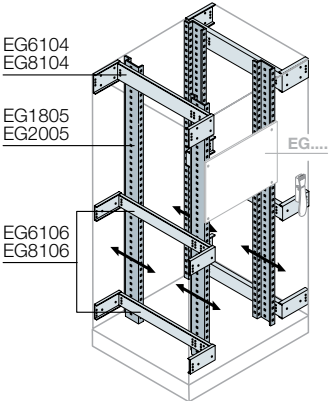


EG1803K
EG2003K

EM1804
EM2004



EB0400
EB0500
EB0600
EB0800



EG6104
EG8104

EG1805
EG2005

EG6106
EG8106

19" rack frames

The fixed frames are made of 20/10 galvanised steel. Centred and eccentric swing frames are made of 20/10 steel painted in RAL 7035 and are complete with handle and lock with double tongue key. Swing frame standard opening is 150°, hinged on the right or the left.

Description	Dimensions (mm)		Code	Item	Price	Package/ No. of pieces
	H	W				
Fixed rack frame 38HE	1800	600	EG1800			1/1
Fixed rack frame 38HE		800	EG1880			1/1
Fixed rack frame 42HE	2000	600	EG2000			1/1
Fixed rack frame 42HE		800	EG2080			1/1
Centred swing rack frame 36HE	1800	600	EG1801K			1/1
Eccentric swing rack frame 34HE		800	EG1803K			1/1
Centred swing rack frame 40HE	2000	600	EG2001K			1/1
Eccentric swing rack frame 38HE		800	EG2003K			1/1

Uprights for adjusting 19" rack frames depth

Description	Dimensions (mm)		Code	Item	Price	Package/ No. of pieces
	H	W				
2 uprights for adjusting fixed rack frame depth	1800		EM1804			1/2
2 uprights for adjusting fixed rack frame depth	2000		EM2004			1/2

Partial swing 19" rack frames

Description	Dimensions (mm)		Code	Item	Price	Package/ No. of pieces
	H	W				
Partial swing rack frame 9HE	500	600	EG0500K			1/1
Partial swing rack frame 18HE	900	600	EG0900K			1/1
Partial swing rack frame 27HE	1300	600	EG1300K			1/1

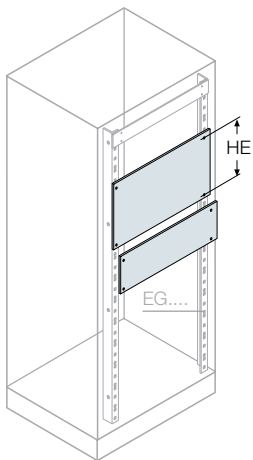
19" rack frames for server cabinet

The server cabinet 19" rack frame is made of 20/10mm galvanised sheet steel and is fixed on the special crosspieces. Depth adjustable.

Description	Dimensions (mm)		Code	Item	Price	Package/ No. of pieces
	H	W				
No. 2 cranked section 19" rack uprights	1800	800	EG1805			1/2
No. 2 cranked section 19" rack uprights	2000	800	EG2005			1/2

19" Server rack frame fixing crosspieces

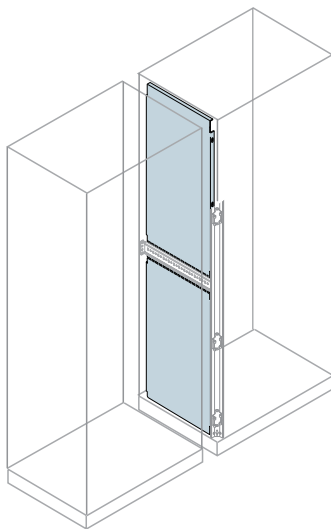
Description	Dimensions (mm)		Code	Item	Price	Package/ No. of pieces
	D	W				
2 upper crosspieces	600		EB6104			1/2
2 central/lower crosspieces	600		EB6106			1/2



Blind aluminium panels for 19" rack frames

Blind compensation panels made of 30/10 thick blind natural-coloured anodised aluminium, with 465mm centre-to-centre distance between holes.

Description	Dimensions (mm)		Code	Item	Price	Package/ No. of pieces
	H					
Panel for 19" rack frame 1HE	44,45		EG1991			1/1
Panel for 19" rack frame 2HE	89		EG1902			1/1
Panel for 19" rack frame 3HE	133		EG1903			1/1
Panel for 19" rack frame 4HE	177,5		EG1904			1/1
Panel for 19" rack frame 5HE	222		EG1905			1/1
Panel for 19" rack frame 6HE	266,5		EG1906			1/1
Panel for 19" rack frame 7HE	311		EG1907			1/1
Panel for 19" rack frame 8HE	355,5		EG1908			1/1
Panel for 19" rack frame 9HE	400		EG1909			1/1
Panel for 19" rack frame 10HE	444,5		EG1910			1/1
Panel for 19" rack frame 11HE	488		EG1911			1/1
Panel for 19" rack frame 12HE	533		EG1912			1/1
Panel for 19" rack frame 13HE	577,5		EG1913			1/1
Panel for 19" rack frame 14HE	622		EG1914			1/1
Panel for 19" rack frame 15HE	666		EG1915			1/1
Panel for 19" rack frame 16HE	711		EG1916			1/1
Panel for 19" rack frame 17HE	755,5		EG1917			1/1
Panel for 19" rack frame 18HE	800		EG1918			1/1
Panel for 19" rack frame 19HE	844,5		EG1999			1/1
Panel for 19" rack frame 20HE	889		EG1920			1/1



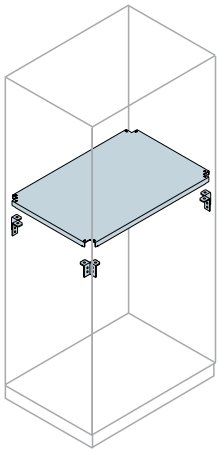
Vertical partition panels for side by side structures

20/10 thick galvanised sheet steel panel divided into two parts. When the side crosspiece H=48mm is present, use the pre-cut areas.

Description	Dimensions (mm)		Code	Item	Price	Package/ No. of pieces
	H	D				
Vertical partition panel		400	EE1841			1/1
Vertical partition panel	1800	500	EE1851			1/1
Vertical partition panel		600	EE1861			1/1
Vertical partition panel		400	EE2041			1/1
Vertical partition panel	2000	500	EE2051			1/1
Vertical partition panel		600	EE2061			1/1

ISX modular cabinets

Ordering codes



4

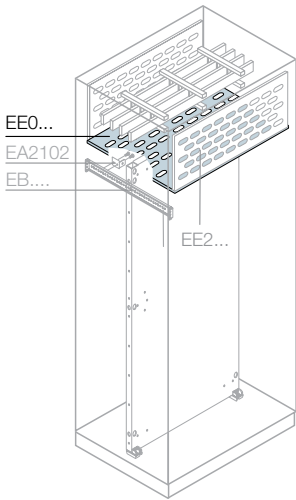
Horizontal partition panels

15/10 thick galvanised sheet steel panel, for horizontally separating the various components inside the structure.

Description	Dimensions (mm)		Code	Item	Price	Package/ No. of pieces
	W	D				
Horizontal partition panel	600		EE6041			1/1
Horizontal partition panel	800	400	EE8041			1/1
Horizontal partition panel	1000		EE1041			1/1
Horizontal partition panel	600		EE6051			1/1
Horizontal partition panel	800	500	EE8051			1/1
Horizontal partition panel	1000		EE1051			1/1
Horizontal partition panel	600		EE6061			1/1
Horizontal partition panel	800	600	EE8061			1/1
Horizontal partition panel	1000		EE1061			1/1
Horizontal partition panel sliding ⁽¹⁾	600	600	EE1003K			1/1
Horizontal partition panel sliding ⁽¹⁾	800	600	EE1004K			1/1

⁽¹⁾ Including fixing crosspieces and relative accessories.

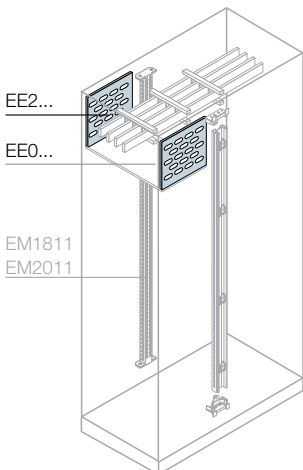
Do not fit with double doors W=800/1000mm.



Horizontal busbar segregations

Drilled sheet metal panels (IP20), for busbar system segregation. Cannot be fitted in cabinets with compartment configurations or with DIN frame.

Description	Dimensions (mm)		Code	Item	Price	Package/ No. of pieces
	W	D				
Horizontal segregation		400	EE0640			1/1
Horizontal segregation	600	500	EE0650			1/1
Horizontal segregation		600	EE0660			1/1
Horizontal segregation		400	EE0840			1/1
Horizontal segregation	800	500	EE0850			1/1
Horizontal segregation		600	EE0860			1/1
Horizontal segregation		400	EE1040			1/1
Horizontal segregation	1000	500	EE1050			1/1
Horizontal segregation		600	EE1060			1/1

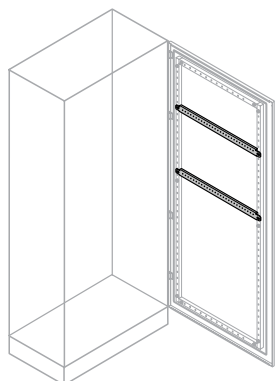


Vertical busbar segregations

Drilled sheet metal panels (IP20), for busbar system segregation.

Description	Dimensions (mm)		Code	Item	Price	Package/ No. of pieces
	H	W				
Pair of vertical segregations	200	600	EE2600			1/2
Pair of vertical segregations	200	800	EE2800			1/2
Pair of vertical segregations	200	1000	EE2100			1/2

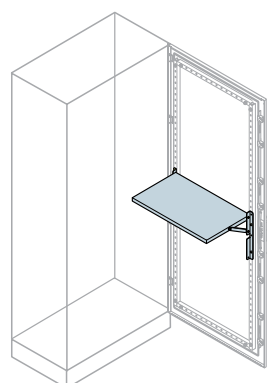
> Rapid selection table page 4/4 > In-depth technical information page 6/1 > Overall dimensions page 7/1



Horizontal reinforcement sections for doors

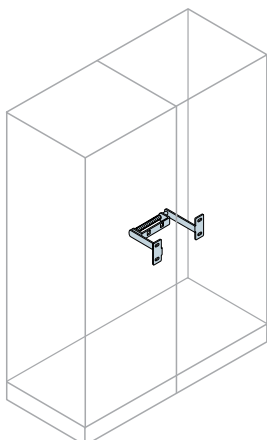
Crosspieces made of galvanised sheet metal with drilling with 25mm pitch, for fixing accessories (e.g.: wiring ducts) inside blind doors. Fixed to the door reinforcement tube.

Description	Dimensions (mm)		Code	Item	Price	Package/ No. of pieces
	W					
2 horizontal sections h=35mm	600		EB1041			1/2
2 horizontal sections h=35mm	800		EB1042			1/2
2 horizontal sections h=35mm	1000		EB1043			1/2



Folding shelves for door

Description	Door (mm)		Code	Item	Price	Package/ No. of pieces
	W					
Shelf 437x244mm (WxD)	600		EV1060K			1/1
Shelf 637x244mm (WxD)	800		EV1061K			1/1



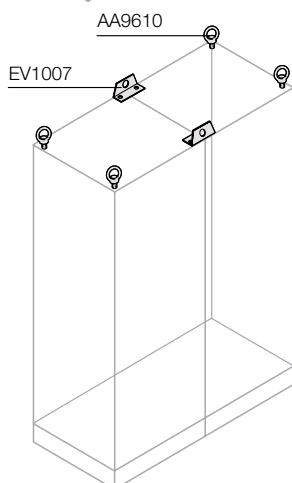
Door anti-closure and locking device

Description	Code	Item	Price	Package/ No. of pieces
Door anti-closure device	EV0005			1/1

Door lock

If several cabinets are placed side by side, this prevents one door from being opened before the adjacent door has been opened. Therefore, opening of the doors in an entire battery of cabinets placed side by side can be constrained to the opening of a single door. Can be fitted on blind doors $W \geq 600\text{mm}$ with the same opening direction.

Description	Code	Item	Price	Package/ No. of pieces
Door lock	EV1160			1/1



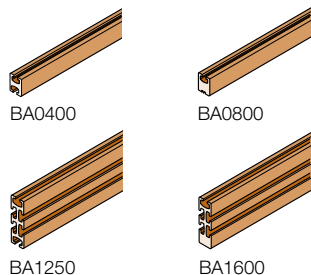
Lifting eyebolts and reinforcements

These allow cabled enclosure handling. The lifting eyebolts are made of white passivated galvanised steel. The lifting reinforcements are painted grey RAL7012 with a textured finish.

Description	Code	Item	Price	Package/ No. of pieces
4 eyebolts M12	AA9610			1/4
2 lifting reinforcements	EV1007			1/2

ISX modular cabinets

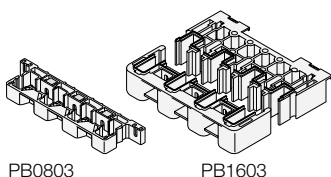
Ordering codes



Distribution busbars with shaped section

Description	Dimensions (mm)		Code	Item	Price	Package/ No. of pieces
	W	H				
Busbar In=400A	1730	17	BA0400			1/1
Busbar In=800A	1730	17	BA0800			1/1
Busbar In=1250A	1730	17	BA1250			1/1
Busbar In=1600A	1730	17	BA1600			1/1

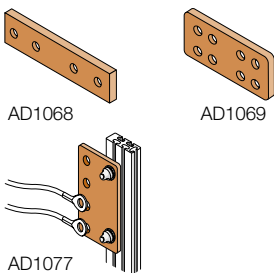
4



Busbar holders for busbars with shaped section

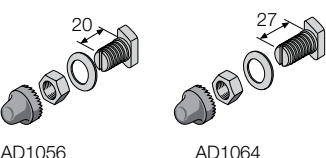
For use with crosspieces H=48mm to be drilled (see page 4/17).

Description	Code	Item	Price	Package/ No. of pieces
Linear busbar holder In=800A - 35kA	PB0803			1/1
Linear busbar holder up to In=1600A - 65kA	PB1603			1/1



Joints for busbars

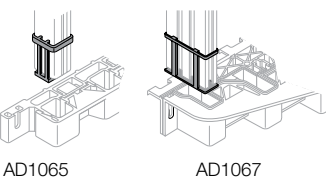
Description	Code	Item	Price	Package/ No. of pieces
4 joints for 800A busbars with shaped section (with 800/1250/1600A busbars)	AD1068			1/1
4 joints for 1250/1600A busbars with shaped section (with 1250/1600A busbars)	AD1069			1/1
4 x 400A copper branch joints	AD1077			1/1



Hammer seal screws

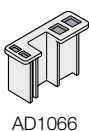
Complete with screw covering cap.

Description	Code	Item	Price	Package/ No. of pieces
12 x M8 screws - W=20mm for cable terminal	AD1056			1/12
12 x M8 screws - W=27mm for plates up to 10mm	AD1064			1/12



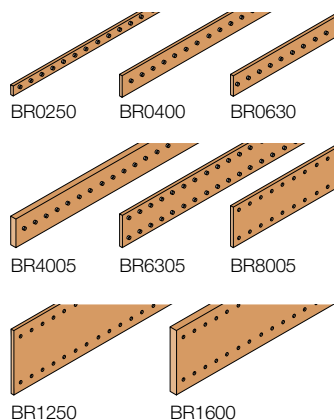
Resting bases

Description	Code	Item	Price	Package/ No. of pieces
4 resting bases for 400/800A busbars	AD1065			1/4
4 resting bases for 1250/1600A busbars	AD1067			1/4



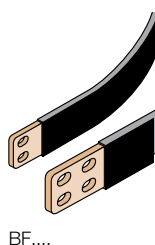
Busbar adapter

Description	Code	Item	Price	Package/ No. of pieces
4 adapters for busbars In =400/800A with busbar holder (PB1603)	AD1066			1/4



Flat busbars

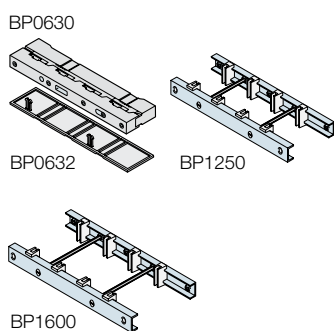
Description	Dimensions (mm)		Code	Item	Price	Package/ No. of pieces
	W					
2 busbars In=250A section 15x5mm	1750		BR0250			1/2
2 busbars In=400A section 25x5mm	1750		BR0400			1/2
2 busbars In=630A section 30x10mm	1750		BR0630			1/2
2 busbars In=400A, section 32x5mm	1750		BR4005			1/2
2 busbars In=630A, section 50x5mm	1750		BR6305			1/2
2 busbars In=800A, section 63x5mm	1750		BR8005			1/2
2 busbars In=1250A, section 100x5mm	1750		BR1250			1/2
2 busbars In=1600A, section 100x10mm	1750		BR1600			1/2



Flexible busbars

Description	Dimensions (mm)		Code	Item	Price	Package/ No. of pieces
	W					
2 flexible busbars, section 20x3 In=250A	2000		BF1602			1/2
2 flexible busbars, section 20x5 In=400A	2000		BF2502			1/2
2 flexible busbars, section 24x6 In=500A	2000		BF4002			1/2
2 flexible busbars, section 32x5 In=630A	2000		BF4012 ⁽¹⁾			1/2
2 flexible busbars, section 40x8 In=1000A	2000		BF6302			1/2
2 flexible busbars, section 50x10 In=1250A	2000		BF8002			1/2

⁽¹⁾ Only for circuit breakers with extended front terminals or rear terminals.



Busbar holders

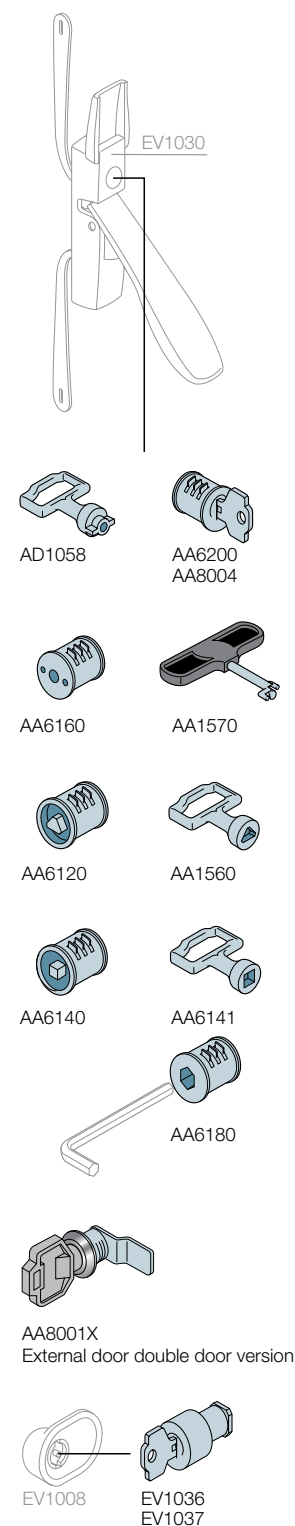
For use with crosspieces H=48mm to be drilled (see page 4/19).

Description	Code	Item	Price	Package/ No. of pieces
2 linear busbar holders In=630A - 32kA	BP0630			1/2
2 terminal covers for linear busbar holders BP0630	BP0632			1/2
2 busbar holders for 5mm thick busbars	BP1250			1/2
2 busbar holders for 10mm thick busbars	BP1600			1/2

ISX modular cabinets

Ordering codes

4



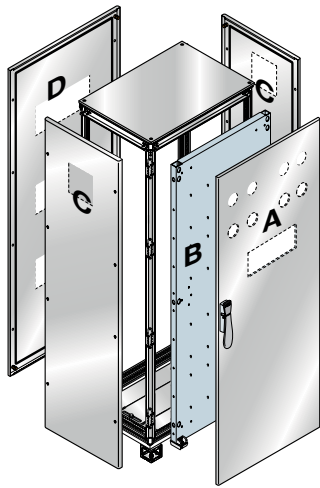
Closing systems

May substitute standard fasteners for the external doors. The inserts are interchangeable and easily substituted by loosening a single nut.

Description	Code	Item	Price	Package/ No. of pieces
Zamak (Zn+Al+Mg) alloy key for double tongue insert, for external door, single door version	AD1058			1/1
Yale insert+key for external door, single door version	AA6200			1/1
Ronis E739 insert + key for external door, single door version	AA8004			1/1
FIST (FIAT) insert for external door, single door version	AA6160			1/1
FIAT key for external door, single door version	AA1570			1/1
Triangular insert 6.4 male on Ø 7.6 for external door, single door version	AA6120			1/1
Key for triangular insert for external door, single door version	AA1560			1/1
Square insert, 7 male, for external door, single door version	AA6140			1/1
Key for square insert for external door, single door version	AA6141			1/1
Hexagonal insert, 8 socket type; key not available; for external door, single door version	AA6180			1/1
Box Ø19mm double tongue, chrome-finished plastic and key for external door, double doors version	AA8001X			1/1
Box Ø19mm with safety insert and Yale type key for external door, double doors version	AA8002			1/1
Box Ø19mm with handle and Yale type key for external door, double doors version	AA8003			1/1
Box Ø19mm with triangular insert for external door, double doors version (Nema TYPE 12)	AA5200			1/1
Plastic key for triangular insert AA5200 for external door, double doors version	AA5190			1/1
Box with double tongue insert made of plastic with key for inner door (Nema TYPE 12)	EV1008			1/1
Single code Yale insert for inner door	EV1036			1/1
Ronis 455 insert for inner door	EV1037			1/1
3mm double tongue insert for inner door	EV1039			1/1
Double tongue insert for handle/closing box	AA6100			1/1

AA8001X
External door double door version

EV1008
EV1036
EV1037



Special drilling service

The extra cost depends on the number of individual parts drilled rather than the number of holes made.

By individual part we mean: A-door; B-plate; C-sides; D-back and E-roof.

The special drilling service must be managed using code ES...X/SPEC plus the code FORISX.

Include the layout drawing of the holes to be drilled (see page 7/28 for possible drilling areas).

Description	Code	Item	Price	Package/ No. of pieces
Extra cost for drilling service per individual part ISX	FORISX			

Special painting service

The customized painting service is available presenting a request of feasibility to our special product department (offer). Please contact your local sales unit.

Description	Code	Item	Price	Package/ No. of pieces
Extra cost for special painting ISX	VERNISX			

Spare parts

Description	Dimensions (mm)		Code	Item	Price EUR	Package/ No. of pieces
	H	W				
Blind door	1800	600	EC1860X			1/1
Blind door		800	EC1880X			1/1
Blind door		1000	EC1810X			1/1
Blind door	2000	600	EC2060X			1/1
Blind door		800	EC2080X			1/1
Blind door		1000	EC2012X			1/1
Glass door	1800	600	ET1860X			1/1
Glass door		800	ET1880X			1/1
Glass door		1000	ET1810X			1/1
Glass door		600	ET2060X			1/1
Glass door		800	ET2080X			1/1
Glass door	2000	1000	ET2010X			1/1
Blind door with overlapping closing		1800	600	ED1812SX		
Blind door with overlapping closing	2000	600	ED2012SX			1/1
Blind door for double doors version	1800	600	EC1880FC6X			1/1
Blind door for double doors version	2000	600	EC2080FC6X			1/1
Rear panel	1800	600	EP1860X			1/1
Rear panel		800	EP1880X			1/1
Rear panel		1000	EP1811X			1/1
Rear panel		1200	EP1812X			1/1
Rear panel	2000	600	EP2060X			1/1
Rear panel		800	EP2080X			1/1
Rear panel		1000	EP2010X			1/1
Rear panel		1200	EP2012X			1/1

Алматы (7273)495-231
 Ангарск (3955)60-70-56
 Архангельск (8182)63-90-72
 Астрахань (8512)99-46-04
 Барнаул (3852)73-04-60
 Белгород (4722)40-23-64
 Благовещенск (4162)22-76-07
 Брянск (4832)59-03-52
 Владивосток (423)249-28-31
 Владикавказ (8672)28-90-48
 Владимир (4922)49-43-18
 Волгоград (844)278-03-48
 Вологда (8172)26-41-59
 Воронеж (473)204-51-73
 Екатеринбург (343)384-55-89

Иваново (4932)77-34-06
 Ижевск (3412)26-03-58
 Иркутск (395)279-98-46
 Казань (843)206-01-48
 Калининград (4012)72-03-81
 Калуга (4842)92-23-67
 Кемерово (3842)65-04-62
 Киров (8332)68-02-04
 Колומна (4966)23-41-49
 Кострома (4942)77-07-48
 Краснодар (861)203-40-90
 Красноярск (391)204-63-61
 Курск (4712)77-13-04
 Курган (3522)50-90-47
 Липецк (4742)52-20-81

Магнитогорск (3519)55-03-13
 Москва (495)268-04-70
 Мурманск (8152)59-64-93
 Набережные Челны (8552)20-53-41
 Нижний Новгород (831)429-08-12
 Новокузнецк (3843)20-46-81
 Ноябрьск (3496)41-32-12
 Новосибирск (383)227-86-73
 Омск (3812)21-46-40
 Орел (4862)44-53-42
 Оренбург (3532)37-68-04
 Пенза (8412)22-31-16
 Петрозаводск (8142)55-98-37
 Псков (8112)59-10-37
 Пермь (342)205-81-47

Ростов-на-Дону (863)308-18-15
 Рязань (4912)46-61-64
 Самара (846)206-03-16
 Санкт-Петербург (812)309-46-40
 Саратов (845)249-38-78
 Севастополь (8692)22-31-93
 Саранск (8342)22-96-24
 Симферополь (3652)67-13-56
 Смоленск (4812)29-41-54
 Сочи (862)225-72-31
 Ставрополь (8652)20-65-13
 Сургут (3462)77-98-35
 Сыктывкар (8212)25-95-17
 Тамбов (4752)50-40-97
 Тверь (4822)63-31-35

Тольятти (8482)63-91-07
 Томск (3822)98-41-53
 Тула (4872)33-79-87
 Тюмень (3452)66-21-18
 Ульяновск (8422)24-23-59
 Улан-Удэ (3012)59-97-51
 Уфа (347)229-48-12
 Хабаровск (4212)92-98-04
 Чебоксары (8352)28-53-07
 Челябинск (351)202-03-61
 Череповец (8202)49-02-64
 Чита (3022)38-34-83
 Якутск (4112)23-90-97
 Ярославль (4852)69-52-93

Россия +7(495)268-04-70

Казахстан +7(7172)727-132

Киргизия +996(312)96-26-47

<https://abbenclosures.nt-rt.ru/> || aua@nt-rt.ru