

Алматы (7273)495-231  
 Ангарск (3955)60-70-56  
 Архангельск (8182)63-90-72  
 Астрахань (8512)99-46-04  
 Барнаул (3852)73-04-60  
 Белгород (4722)40-23-64  
 Благовещенск (4162)22-76-07  
 Брянск (4832)59-03-52  
 Владивосток (423)249-28-31  
 Владикавказ (8672)28-90-48  
 Владимир (4922)49-43-18  
 Волгоград (844)278-03-48  
 Вологда (8172)26-41-59  
 Воронеж (473)204-51-73  
 Екатеринбург (343)384-55-89

Иваново (4932)77-34-06  
 Ижевск (3412)26-03-58  
 Иркутск (395)279-98-46  
 Казань (843)206-01-48  
 Калининград (4012)72-03-81  
 Калуга (4842)92-23-67  
 Кемерово (3842)65-04-62  
 Киров (8332)68-02-04  
 Коломна (4966)23-41-49  
 Кострома (4942)77-07-48  
 Краснодар (861)203-40-90  
 Красноярск (391)204-63-61  
 Курск (4712)77-13-04  
 Курган (3522)50-90-47  
 Липецк (4742)52-20-81

Россия +7(495)268-04-70

Магнитогорск (3519)55-03-13  
 Москва (495)268-04-70  
 Мурманск (8152)59-64-93  
 Набережные Челны (8552)20-53-41  
 Нижний Новгород (831)429-08-12  
 Новокузнецк (3843)20-46-81  
 Ноябрьск (3496)41-32-12  
 Новосибирск (383)227-86-73  
 Омск (3812)21-46-40  
 Орел (4862)44-53-42  
 Оренбург (3532)37-68-04  
 Пенза (8412)22-31-16  
 Петрозаводск (8142)55-98-37  
 Псков (8112)59-10-37  
 Пермь (342)205-81-47


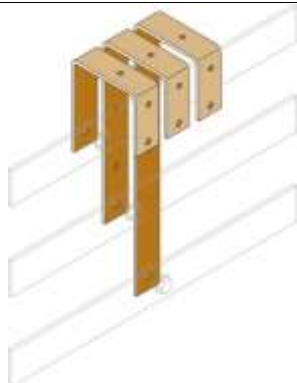
Казахстан +7(7172)727-132

Ростов-на-Дону (863)308-18-15  
 Рязань (4912)46-61-64  
 Самара (846)206-03-16  
 Санкт-Петербург (812)309-46-40  
 Саратов (845)249-38-78  
 Севастополь (8692)22-31-93  
 Саранск (8342)22-96-24  
 Симферополь (3652)67-13-56  
 Смоленск (4812)29-41-54  
 Сочи (862)225-72-31  
 Ставрополь (8652)20-65-13  
 Сургут (3462)77-98-35  
 Сыктывкар (8212)25-95-17  
 Тамбов (4752)50-40-97  
 Тверь (4822)63-31-35

Киргизия +996(312)96-26-47

Тольятти (8482)63-91-07  
 Томск (3822)98-41-53  
 Тула (4872)33-79-87  
 Тюмень (3452)66-21-18  
 Ульяновск (8422)24-23-59  
 Улан-Удэ (3012)59-97-51  
 Уфа (347)229-48-12  
 Хабаровск (4212)92-98-04  
 Чебоксары (8352)28-53-07  
 Челябинск (351)202-03-61  
 Череповец (8202)49-02-64  
 Чита (3022)38-34-83  
 Якутск (4112)23-90-97  
 Ярославль (4852)69-52-93

<https://abbenclosures.nt-rt.ru/> || [aua@nt-rt.ru](mailto:aua@nt-rt.ru)

	 <p><b>PEBL0004</b> <b>1STQ008112A0000</b></p>	 <p><b>PEBL0004A</b> <b>1STQ003710M0000</b></p>
	PEBL0004 Main Distribution Board	PEBL0004A

Technical			
Color:	Grey		N/A
Material:	Metal		N/A
Product Type:	5P5P10P1090		N/A
Remarks:	ETIM		N/A
Software Category:	A		A
Sub-Function 3:	Eyebolts		N/A
Suitable For:	Modular boards - System pro E Power		N/A
Suitable for Product Class:	Main Distribution Boards		N/A

**Material Compliance**

<b>REACH Declaration:</b>	1STE000078	N/A
<b>RoHS Date:</b>	20140108	N/A
<b>RoHS Information:</b>	1STE000077	N/A
<b>RoHS Status:</b>	No declaration needed	N/A

**Environmental**

<b>Environmental Information:</b>	1STC803005D0208 1STC803009D0103 9AKK108467A6707	1STC803009D0103 9AKK108467A6707
-----------------------------------	---	------------------------------------

**Dimensions**

<b>Product Net Depth / Length:</b>	25 mm	N/A
<b>Product Net Height:</b>	130 mm	N/A
<b>Product Net Weight:</b>	0.67 kg	0.67 kg
<b>Product Net Width:</b>	90 mm	N/A

**Ordering**

<b>Package Level 1 Gross Weight:</b>	0.67 kg	N/A
<b>Package Level 1 Units:</b>	1 piece	packet 1 piece

**Certificates and Declarations**

<b>Declaration of Conformity - CE:</b>	1STC860111	N/A
--	------------	-----

**Installation**

<b>Instructions and Manuals:</b>	1STS100027R0001	1STS100027R0001
----------------------------------	-----------------	-----------------

**Popular Downloads**

<b>Data Sheet, Technical Information:</b>	1STC803005D0208 1STC803009D0103	1STC803009D0103
---	------------------------------------	-----------------

**Classifications**

<b>CN8:</b>	73181900	7318
<b>eClass:</b>	V11.1 : 27182812	N/A
<b>ETIM 8:</b>	EC002621 - Components for transport (enclosure/cabinet)	N/A
<b>ETIM 9:</b>	EC002621 - Components for transport (enclosure/cabinet)	N/A

<b>WEEE B2C / B2B:</b>	Business To Business	Business To Business
<b>WEEE Category:</b>	5. Small Equipment (No External Dimension More Than 50 cm)	4. Large Equipment (Any External Dimension More Than 50 cm)



**PMBA7550  
1STQ005096B0000**

PMBA7550 Main Distribution Board

**Technical**

<b>Material:</b>	Pickled steel sheet
<b>Product Type:</b>	5P5P20P2035
<b>Remarks:</b>	ETIM
<b>Software Category:</b>	M
<b>Sub-Function 3:</b>	Device Kit
<b>Suitable For:</b>	Modular boards - System pro E Power
<b>Suitable for Product Class:</b>	Main Distribution Board

**Material Compliance**

<b>RoHS Date:</b>	20140108
<b>RoHS Information:</b>	1STC860065
<b>RoHS Status:</b>	No declaration needed

**Environmental**

<b>Environmental Information:</b>	1STC803009D0103 9AKK108467A6707
-----------------------------------	------------------------------------

**Dimensions**

<b>Product Net Depth / Length:</b>	150 mm
<b>Product Net Height:</b>	760 mm

<b>Product Net Weight:</b>	13.03 kg
<b>Product Net Width:</b>	530 mm
<b>Ordering</b>	
<b>Package Level 1 Gross Weight:</b>	13.546 kg
<b>Package Level 1 Units:</b>	1 piece
<b>Certificates and Declarations</b>	
<b>Declaration of Conformity - CE:</b>	No declaration needed
<b>Installation</b>	
<b>Instructions and Manuals:</b>	1STS100179R0001
<b>Popular Downloads</b>	
<b>Data Sheet, Technical Information:</b>	1STC803009D0103
<b>Classifications</b>	
<b>CN8:</b>	85381000
<b>eClass:</b>	V11.1 : 27182811
<b>ETIM 8:</b>	EC002620 - Components for installation (enclosure/cabinet)
<b>ETIM 9:</b>	EC002620 - Components for installation (enclosure/cabinet)
<b>WEEE B2C / B2B:</b>	Business To Business
<b>WEEE Category:</b>	Product Not in WEEE Scope



	 <b>PMBX5758</b> <b>1STQ007171B00</b> <b>00</b>	 <b>PMBX4760</b> <b>1STQ007069B</b> <b>0000</b>	 <b>PMBX4785</b> <b>1STQ007070B</b> <b>0000</b>	 <b>PMBX5756</b> <b>1STQ00717</b> <b>0B0000</b>	 <b>PMBX4760A</b> <b>1STQ003538</b> <b>M0000</b>	 <b>PMBX5756A</b> <b>1STQ003534M</b> <b>0000</b>	 <b>PMBX4785A</b> <b>1STQ003539</b> <b>M0000</b>	 <b>PMBX5758A</b> <b>1STQ003535</b> <b>M0000</b>	 <b>PMBX6758</b> <b>1STQ008518B0</b> <b>000</b>	 <b>PMBX6756</b> <b>1STQ008517B0</b> <b>000</b>	 <b>PMBX6756A</b> <b>1STQ003734M0</b> <b>000</b>	 <b>PMBX6758A</b> <b>1STQ003735</b> <b>M0000</b>
	PMBX5758 Main Distribution Board	PMBX4760 Main Distribution Board	PMBX4785 Main Distribution Board	PMBX5756 Main Distribution Board	PMBX4760A	PMBX5756A	PMBX4785A	PMBX5758A	PMBX6758 Main Distribution Board	PMBX6756 Main Distribution Board	PMBX6756A Main Distribution Board	PMBX6758A Main Distribution Board

**Technical**

<b>Color:</b>	Grey	Grey	Grey	Grey	N/A	N/A	N/A	N/A	N/A	N/A	N/A	N/A
<b>Material:</b>	Pickled sheet steel	Pickled sheet steel	Pickled sheet steel	Pickled sheet steel	N/A	N/A	N/A	N/A	N/A	N/A	N/A	N/A
<b>Product Type:</b>	N/A	N/A	N/A	N/A	N/A	N/A	N/A	N/A	SUJ0713XXX010	SUJ0713XXX010	SUJ0713XXX010	SUJ0713XXX010
<b>Software Category:</b>	M	M	M	M	M	M	M	M	N/A	N/A	N/A	N/A
<b>Sub-Function 3:</b>	Mounting kit	Mounting kit	Mounting kit	Mounting kit	N/A	N/A	N/A	N/A	N/A	N/A	N/A	N/A
<b>Suitable For:</b>	N/A	N/A	N/A	N/A	N/A	N/A	N/A	N/A	Main Distribution Boards (System pro E power) - Rear Busbar System Internal Kits	Main Distribution Boards (System pro E power) - Rear Busbar System Internal Kits	Main Distribution Boards (System pro E power) - Rear Busbar System Internal Kits	Main Distribution Boards (System pro E power) - Rear Busbar System Internal Kits
<b>Suitable for Product Class:</b>	N/A	N/A	N/A	N/A	N/A	N/A	N/A	N/A	Main Distribution Boards (System pro E power)	Main Distribution Boards (System pro E power)	Main Distribution Boards (System pro E power)	Main Distribution Boards (System pro E power)

<b>Environmental</b>													
<b>Environmental Information:</b>	1STC803009D0103 9AKK108467A6707	1STC803009D0103 9AKK108467A6707	1STC803009D0103 9AKK108467A6707	1STC803009D0103 9AKK108467A6707	1STC803009D0103 9AKK108467A6707	1STC803009D0103 9AKK108467A6707	1STC803009D0103 9AKK108467A6707	1STC803009D0103 9AKK108467A6707	1STC803009D0103 9AKK108467A6707	1STC803001D0201 9AKK108467A6707	1STC803001D0201 9AKK108467A6707	1STC803001D0201 9AKK108467A6707	1STC803001D0201 9AKK108467A6707
<b>Dimensions</b>													
<b>Product Net Depth / Length:</b>	N/A	N/A	N/A	N/A	N/A	N/A	N/A	N/A	N/A	750 mm	750 mm	770 mm	770 mm
<b>Product Net Height:</b>	N/A	N/A	N/A	N/A	N/A	N/A	N/A	N/A	N/A	65 mm	55 mm	65 mm	65 mm
<b>Product Net Weight:</b>	9.36 kg	8.25 kg	11.16 kg	7.45 kg	8.25 kg	7.45 kg	11.16 kg	9.36 kg	9.29 kg	6.34 kg	5.66 kg	8.59 kg	
<b>Product Net Width:</b>	N/A	N/A	N/A	N/A	N/A	N/A	N/A	N/A	N/A	750 mm	505 mm	520 mm	750 mm
<b>Ordering</b>													
<b>Package Level 1 Gross Weight:</b>	N/A	N/A	N/A	N/A	6.534 kg	5.883 kg	9.117 kg	8.929 kg	9.665 kg	6.595 kg	5.884 kg	8.93 kg	
<b>Package Level 1 Units:</b>	packet 1 piece	packet 1 piece	packet 1 piece	packet 1 piece	packet 1 piece	packet 1 piece	packet 1 piece	packet 1 piece	packet 1 piece	N/A	N/A	N/A	N/A
<b>Certificates and Declarations</b>													
<b>Declaration of Conformity - CE:</b>	1STC860049	1STC860049	1STC860049	1STC860049	N/A	N/A	N/A	N/A	1STC860049	1STC860049	1STC860049	1STC860049	
<b>Installation</b>													
<b>Instructions and Manuals:</b>	1STS100493R0001	1STS100490R0001	1STS100491R0001	1STS100492R0001	1STS100490R0001	1STS100492R0001	1STS100491R0001	1STS100493R0001	1STS100495R0001	1STS100494R0001	1STS100494R0001	1STS100495R0001	
<b>Popular Downloads</b>													
<b>Data Sheet, Technical Information:</b>	1STC803009D0103	1STC803009D0103	1STC803009D0103	1STC803009D0103	1STC803009D0103	1STC803009D0103	1STC803009D0103	1STC803009D0103	1STC803001D0201	1STC803001D0201	1STC803001D0201	1STC803001D0201	

<b>Classifications</b>													
<b>CN8:</b>	85381000	85381000	85381000	85381000	85381000	85381000	85381000	85381000	85381000	<b>N/A</b>	<b>N/A</b>	<b>N/A</b>	<b>N/A</b>
<b>eClass:</b>	V11.1 : 27182811	V11.1 : 27182811	V11.1 : 27182811	V11.1 : 27182811	<b>N/A</b>	<b>N/A</b>	<b>N/A</b>	<b>N/A</b>	V11.1 : 27182811	V11.1 : 27182811	V11.1 : 27182811	V11.1 : 27182811	
<b>ETIM 8:</b>	EC002620 - Components for installation (enclosure/ca binet)	EC002620 - Components for installation (enclosure/cabi net)	EC002620 - Components for installation (enclosure/cabin et)	EC002620 - Component s for installation (enclosure/ cabinet)	<b>N/A</b>	<b>N/A</b>	<b>N/A</b>	<b>N/A</b>	EC002620 - Components for installation (enclosure/cabi net)	EC002620 - Components for installation (enclosure/cabin et)	EC002620 - Components for installation (enclosure/cabin et)	EC002620 - Components for installation (enclosure/cabi net)	
<b>ETIM 9:</b>	EC002620 - Components for installation (enclosure/ca binet)	EC002620 - Components for installation (enclosure/cabi net)	EC002620 - Components for installation (enclosure/cabin et)	EC002620 - Component s for installation (enclosure/ cabinet)	<b>N/A</b>	<b>N/A</b>	<b>N/A</b>	<b>N/A</b>	EC002620 - Components for installation (enclosure/cabi net)	EC002620 - Components for installation (enclosure/cabin et)	EC002620 - Components for installation (enclosure/cabin et)	EC002620 - Components for installation (enclosure/cabi net)	
<b>WEEE B2C / B2B:</b>	Business To Business	Business To Business	Business To Business	Business To Business	Business To Business	Business To Business	Business To Business	Business To Business	Business To Business	Business To Business	Business To Business	Business To Business	
<b>WEEE Category:</b>	4. Large Equipment (Any External Dimension More Than 50 cm)	4. Large Equipment (Any External Dimension More Than 50 cm)	4. Large Equipment (Any External Dimension More Than 50 cm)	4. Large Equipment (Any External Dimension More Than 50 cm)	4. Large Equipment (Any External Dimension More Than 50 cm)	4. Large Equipment (Any External Dimension More Than 50 cm)	4. Large Equipment (Any External Dimension More Than 50 cm)	4. Large Equipment (Any External Dimension More Than 50 cm)	4. Large Equipment (Any External Dimension More Than 50 cm)	4. Large Equipment (Any External Dimension More Than 50 cm)	4. Large Equipment (Any External Dimension More Than 50 cm)	4. Large Equipment (Any External Dimension More Than 50 cm)	

<b>Show Differences Only</b>	
 <b>PNNC2149</b> <b>1STQ005175B0000</b>	 <b>PNNC2129</b> <b>1STQ005173B0000</b>
PNNC2149 Main Distribution Board	PNNC2129 Main Distribution Board
<b>Technical</b>	
<b>Material:</b>	Flat Copper
	Flat Copper

<b>Product Type:</b>	5S5S20S2050	5S5S20S2050
<b>Remarks:</b>	ETIM	ETIM
<b>Software Category:</b>	A	A
<b>Suitable For:</b>	Modular boards - System pro E Power	Modular boards - System pro E Power
<b>Suitable for Product Class:</b>	Main Distribution Board	Main Distribution Board
<b>Material Compliance</b>		
<b>RoHS Date:</b>	20140108	20140108
<b>RoHS Information:</b>	1STC860065	1STC860065
<b>RoHS Status:</b>	No declaration needed	No declaration needed
<b>Environmental</b>		
<b>Environmental Information:</b>	1STC803009D0103 9AKK108467A6707	1STC803009D0103 9AKK108467A6707
<b>Dimensions</b>		
<b>Product Net Depth / Length:</b>	L1 2396 mm	L1 2066 mm
<b>Product Net Height:</b>	L1 10 mm	L1 10 mm
<b>Product Net Weight:</b>	23.32 kg	20.65 kg
<b>Product Net Width:</b>	L1 100 mm	L1 100 mm
<b>Ordering</b>		
<b>Package Level 1 Gross Weight:</b>	24.25 kg	21.473 kg
<b>Package Level 1 Units:</b>	1 piece	1 piece
<b>Certificates and Declarations</b>		
<b>Declaration of Conformity - CE:</b>	No declaration needed	No declaration needed
<b>Installation</b>		
<b>Instructions and Manuals:</b>	1STS100195R0001	1STS100195R0001
<b>Popular Downloads</b>		
<b>Data Sheet, Technical Information:</b>	1STC803009D0103	1STC803009D0103
<b>Mechanical Drawings:</b>	1STD000159 1STD000158	1STD000159 1STD000158





<b>Environmental</b>						
<b>Environmental Information:</b>	1STC803009D0103 9AKK108467A6707	1STC803009D0103 9AKK108467A6707	1STC803009D0103 9AKK108467A6707	1STC803009D0103 9AKK108467A6707	1STC803009D0103 9AKK108467A6707	1STC803009D0103 9AKK108467A6707
<b>Dimensions</b>						
<b>Product Net Depth / Length:</b>	10 mm	L1 2839 mm	L1 2509 mm	L1 4436 mm	L1 1893 mm	10 mm
<b>Product Net Height:</b>	50 mm	L1 10 mm	L1 10 mm	L1 10 mm	L1 10 mm	50 mm
<b>Product Net Weight:</b>	0.5 kg	23.32 kg	20.65 kg	9.51 kg	9.51 kg	0.5 kg
<b>Product Net Width:</b>	50 mm	L1 100 mm	L1 100 mm	L1 50 mm	L1 50 mm	50 mm
<b>Ordering</b>						
<b>Package Level 1 Gross Weight:</b>	N/A	26.053 kg	23.276 kg	N/A	N/A	N/A
<b>Package Level 1 Units:</b>	1 piece	1 piece	1 piece	1 piece	1 piece	1 piece
<b>Certificates and Declarations</b>						
<b>Declaration of Conformity - CE:</b>	1STC860049	No declaration needed	No declaration needed	1STC860049	N/A	N/A
<b>Installation</b>						
<b>Instructions and Manuals:</b>	1STS100188R0001	1STS100195R0001	1STS100195R0001	1STS100275R0001	1STS100275R0001	1STS100188R0001
<b>Popular Downloads</b>						
<b>Data Sheet, Technical Information:</b>	1STC803009D0103	1STC803009D0103	1STC803009D0103	1STC803009D0103	1STC803009D0103	1STC803009D0103
<b>Mechanical Drawings:</b>	N/A	1STD000159 1STD000158	1STD000159 1STD000158	1STD002767 1STD000165	1STD002767 1STD000165	N/A
<b>Classifications</b>						
<b>CN8:</b>	85369001	85389099	85389099	85369001	N/A	N/A
<b>eClass:</b>	V11.1 : 27143105	V11.1 : 27143105	V11.1 : 27143105	V11.1 : 27143105	N/A	N/A
<b>ETIM 8:</b>	EC000635 - Connection- /branching terminal for bus system	EC000635 - Connection-/branching terminal for bus system	EC000635 - Connection-/branching terminal for bus system	EC000635 - Connection- /branching terminal for bus system	N/A	N/A
<b>ETIM 9:</b>	EC000635 - Connection- /branching terminal for bus	EC000635 - Connection-/branching	EC000635 - Connection-/branching	EC000635 - Connection- /branching terminal for bus	N/A	N/A

	system	terminal for bus system	terminal for bus system	system		
<b>WEEE B2C / B2B:</b>	Business To Business	Business To Business	Business To Business	Business To Business	<b>N/A</b>	<b>N/A</b>
<b>WEEE Category:</b>	5. Small Equipment (No External Dimension More Than 50 cm)	5. Small Equipment (No External Dimension More Than 50 cm)	5. Small Equipment (No External Dimension More Than 50 cm)	5. Small Equipment (No External Dimension More Than 50 cm)	Product Not in WEEE Scope	Product Not in WEEE Scope

**Show Differences Only**



**PPAC1220**  
**1STQ005144B0000**

PPAC1220 Main Distribution Board



**PPAC6021**  
**1STQ005134B0000**

PPAC6021 Main Distribution Board



**PPAC6020**  
**1STQ005132B0000**

PPAC6020 Main Distribution Board

**Technical**

<b>Material:</b>	Flat Copper	Flat Copper	Flat Copper
<b>Product Type:</b>	5S5S20S2070	5S5S20S2070	5S5S20S2070
<b>Remarks:</b>	ETIM	ETIM	ETIM
<b>Software Category:</b>	A	A	A
<b>Suitable For:</b>	Modular boards - System pro E Power	Modular boards - System pro E Power	Modular boards - System pro E Power
<b>Suitable for Product Class:</b>	Main Distribution Board	Main Distribution Board	Main Distribution Board

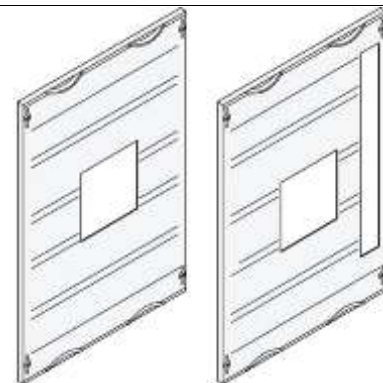
**Material Compliance**

<b>RoHS Date:</b>	20140108	20140108	20140108
<b>RoHS Information:</b>	1STC860065	1STC860065	1STC860065
<b>RoHS Status:</b>	No declaration needed	No declaration needed	No declaration needed

**Environmental**

<b>Environmental Information:</b>	1STC803009D0103 9AKK108467A6707	1STC803009D0103 9AKK108467A6707	1STC803009D0103 9AKK108467A6707
-----------------------------------	------------------------------------	------------------------------------	------------------------------------

<b>Dimensions</b>			
<b>Product Net Depth / Length:</b>	L1 4923 mm	700 mm	700 mm
<b>Product Net Height:</b>	L1 10 mm	80 mm	80 mm
<b>Product Net Weight:</b>	24.45 kg	1.53 kg	1 kg
<b>Product Net Width:</b>	L1 60 mm	160 mm	160 mm
<b>Ordering</b>			
<b>Package Level 1 Gross Weight:</b>	26.463 kg	1.594 kg	1.043 kg
<b>Package Level 1 Units:</b>	1 piece	1 piece	1 piece
<b>Certificates and Declarations</b>			
<b>Declaration of Conformity - CE:</b>	No declaration needed	No declaration needed	No declaration needed
<b>Installation</b>			
<b>Instructions and Manuals:</b>	1STS100188R0001	1STS100188R0001	1STS100188R0001
<b>Popular Downloads</b>			
<b>Data Sheet, Technical Information:</b>	1STC803009D0103	1STC803009D0103	1STC803009D0103
<b>Mechanical Drawings:</b>	1STD000226 1STD000225 1STD000150 1STD000149	N/A	N/A
<b>Classifications</b>			
<b>CN8:</b>	85369095	85389099	85389099
<b>eClass:</b>	V11.1 : 27400607	V11.1 : 27400607	V11.1 : 27400607
<b>ETIM 8:</b>	EC001166 - Busbar support	EC001166 - Busbar support	EC001166 - Busbar support
<b>ETIM 9:</b>	EC001166 - Busbar support	EC001166 - Busbar support	EC001166 - Busbar support
<b>WEEE B2C / B2B:</b>	Business To Business	Business To Business	Business To Business
<b>WEEE Category:</b>	5. Small Equipment (No External Dimension More Than 50 cm)	5. Small Equipment (No External Dimension More Than 50 cm)	5. Small Equipment (No External Dimension More Than 50 cm)



**PPAG2503  
1STQ005190B0000**

PPAG2503 Main Distribution Board

**Technical**

<b>Material:</b>	Flat Copper
<b>Product Type:</b>	5P5P20P2053
<b>Remarks:</b>	ETIM
<b>Software Category:</b>	A
<b>Sub-Function 3:</b>	Mounting kit
<b>Suitable For:</b>	Modular boards - System pro E Power
<b>Suitable for Product Class:</b>	Main Distribution Board

**Material Compliance**

<b>RoHS Date:</b>	20140108
<b>RoHS Information:</b>	1STC860065
<b>RoHS Status:</b>	No declaration needed

**Environmental**

<b>Environmental Information:</b>	1STC803009D0103 9AKK108467A6707
-----------------------------------	------------------------------------

**Dimensions**

<b>Product Net Depth / Length:</b>	55 mm
<b>Product Net Height:</b>	750 mm
<b>Product Net Weight:</b>	1.68 kg
<b>Product Net Width:</b>	505 mm

<b>Ordering</b>	
<b>Package Level 1 Gross Weight:</b>	1.747 kg
<b>Package Level 1 Units:</b>	1 piece
<b>Certificates and Declarations</b>	
<b>Declaration of Conformity - CE:</b>	No declaration needed
<b>Installation</b>	
<b>Instructions and Manuals:</b>	1STS100179R0001
<b>Popular Downloads</b>	
<b>Data Sheet, Technical Information:</b>	1STC803009D0103
<b>Classifications</b>	
<b>CN8:</b>	39269097
<b>eClass:</b>	V11.1 : 27182811
<b>ETIM 8:</b>	EC002620 - Components for installation (enclosure/cabinet)
<b>ETIM 9:</b>	EC002620 - Components for installation (enclosure/cabinet)
<b>WEEE B2C / B2B:</b>	Business To Business
<b>WEEE Category:</b>	4. Large Equipment (Any External Dimension More Than 50 cm)

**Алматы** (7273)495-231  
**Ангарск** (3955)60-70-56  
**Архангельск** (8182)63-90-72  
**Астрахань** (8512)99-46-04  
**Барнаул** (3852)73-04-60  
**Белгород** (4722)40-23-64  
**Благовещенск** (4162)22-76-07  
**Брянск** (4832)59-03-52  
**Владивосток** (423)249-28-31  
**Владикавказ** (8672)28-90-48  
**Владимир** (4922)49-43-18  
**Волгоград** (844)278-03-48  
**Вологда** (8172)26-41-59  
**Воронеж** (473)204-51-73  
**Екатеринбург** (343)384-55-89

**Иваново** (4932)77-34-06  
**Ижевск** (3412)26-03-58  
**Иркутск** (395)279-98-46  
**Казань** (843)206-01-48  
**Калининград** (4012)72-03-81  
**Калуга** (4842)92-23-67  
**Кемерово** (3842)65-04-62  
**Киров** (8332)68-02-04  
**Коломна** (4966)23-41-49  
**Кострома** (4942)77-07-48  
**Краснодар** (861)203-40-90  
**Красноярск** (391)204-63-61  
**Курск** (4712)77-13-04  
**Курган** (3522)50-90-47  
**Липецк** (4742)52-20-81

Россия +7(495)268-04-70

**Магнитогорск** (3519)55-03-13  
**Москва** (495)268-04-70  
**Мурманск** (8152)59-64-93  
**Набережные Челны** (8552)20-53-41  
**Нижний Новгород** (831)429-08-12  
**Новокузнецк** (3843)20-46-81  
**Ноябрьск** (3496)41-32-12  
**Новосибирск** (383)227-86-73  
**Омск** (3812)21-46-40  
**Орел** (4862)44-53-42  
**Оренбург** (3532)37-68-04  
**Пенза** (8412)22-31-16  
**Петрозаводск** (8142)55-98-37  
**Псков** (8112)59-10-37  
**Пермь** (342)205-81-47

Казахстан +7(7172)727-132

**Ростов-на-Дону** (863)308-18-15  
**Рязань** (4912)46-61-64  
**Самара** (846)206-03-16  
**Санкт-Петербург** (812)309-46-40  
**Саратов** (845)249-38-78  
**Севастополь** (8692)22-31-93  
**Саранск** (8342)22-96-24  
**Симферополь** (3652)67-13-56  
**Смоленск** (4812)29-41-54  
**Сочи** (862)225-72-31  
**Ставрополь** (8652)20-65-13  
**Сургут** (3462)77-98-35  
**Сыктывкар** (8212)25-95-17  
**Тамбов** (4752)50-40-97  
**Тверь** (4822)63-31-35

Киргизия +996(312)96-26-47

**Тольятти** (8482)63-91-07  
**Томск** (3822)98-41-53  
**Тула** (4872)33-79-87  
**Тюмень** (3452)66-21-18  
**Ульяновск** (8422)24-23-59  
**Улан-Удэ** (3012)59-97-51  
**Уфа** (347)229-48-12  
**Хабаровск** (4212)92-98-04  
**Чебоксары** (8352)28-53-07  
**Челябинск** (351)202-03-61  
**Череповец** (8202)49-02-64  
**Чита** (3022)38-34-83  
**Якутск** (4112)23-90-97  
**Ярославль** (4852)69-52-93

<https://abbenclosures.nt-rt.ru/> || [aua@nt-rt.ru](mailto:aua@nt-rt.ru)